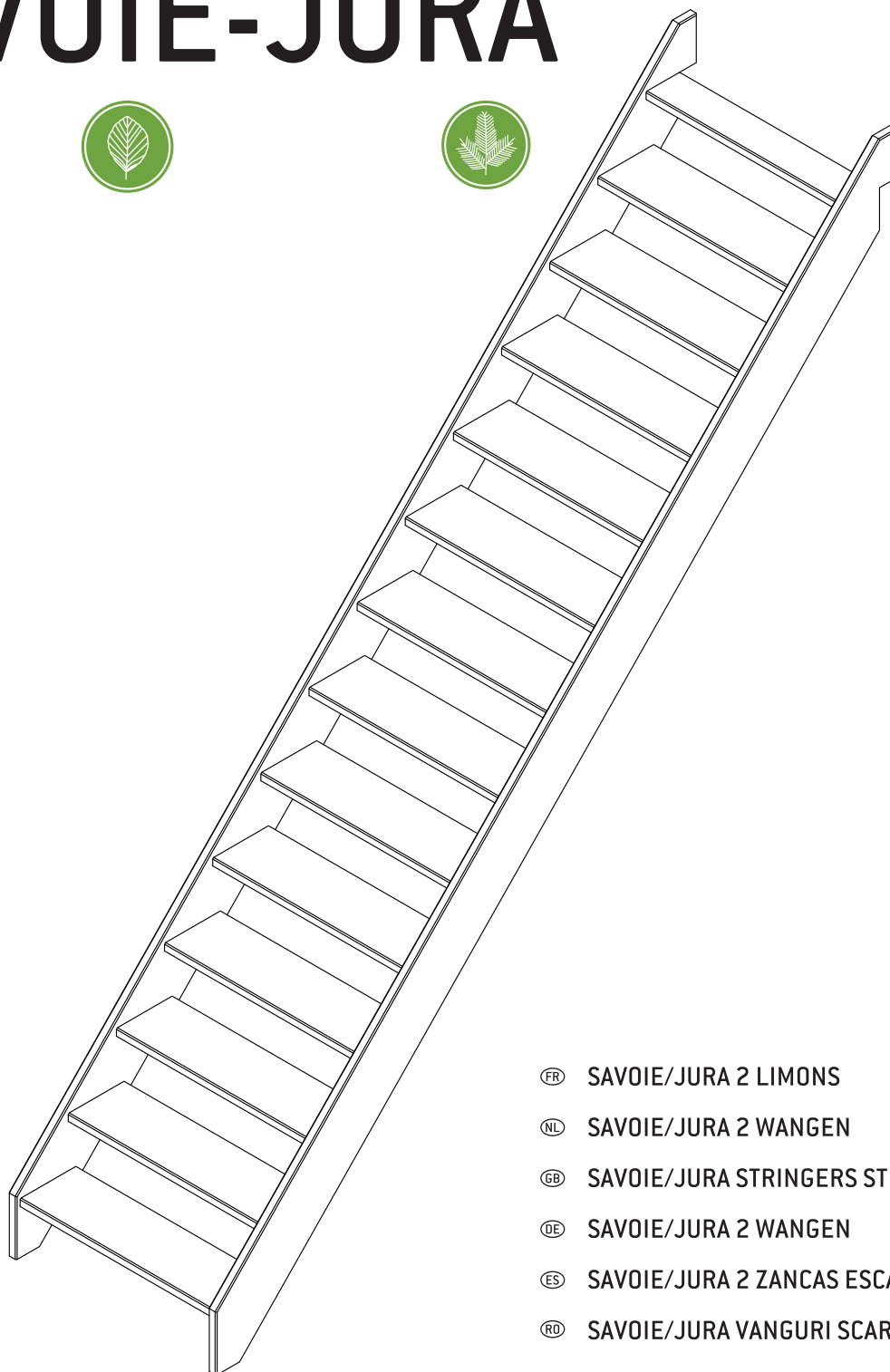
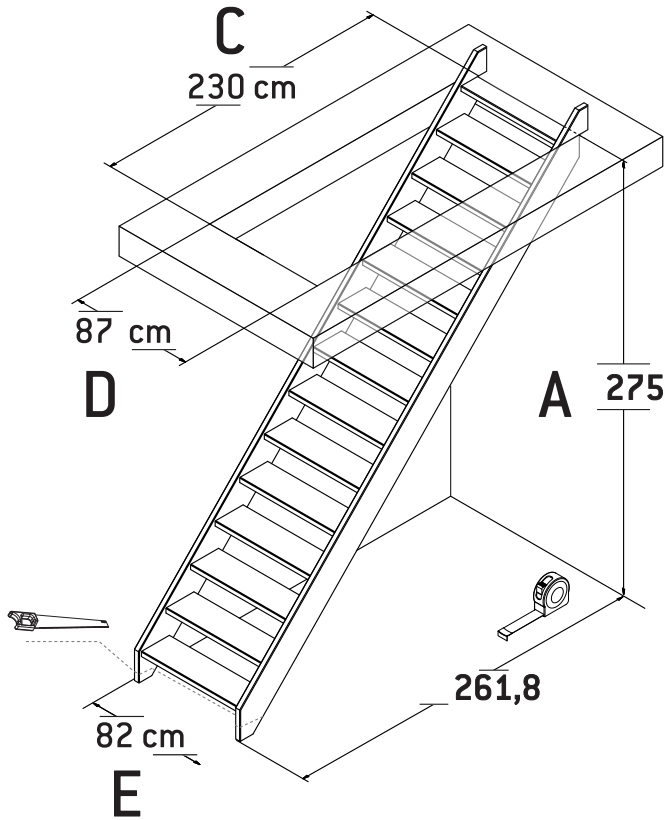


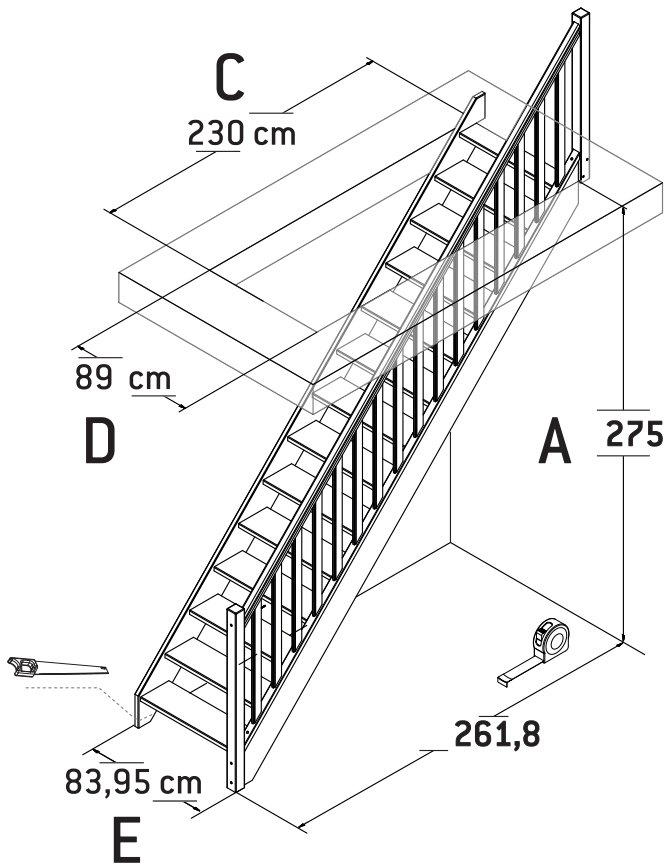
SAVOIE-JURA



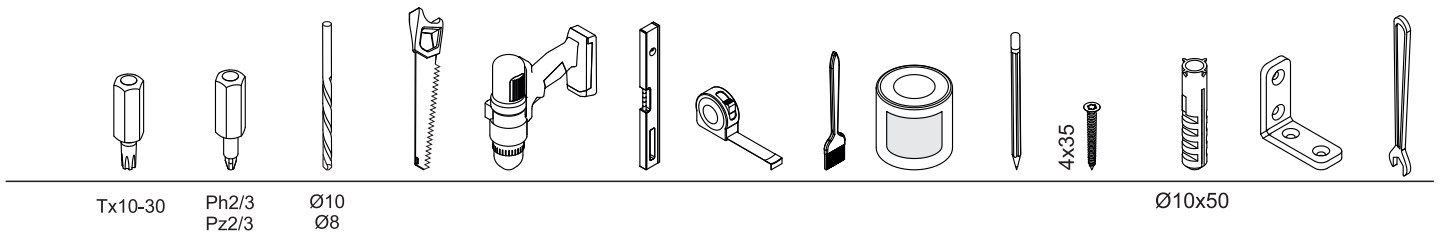
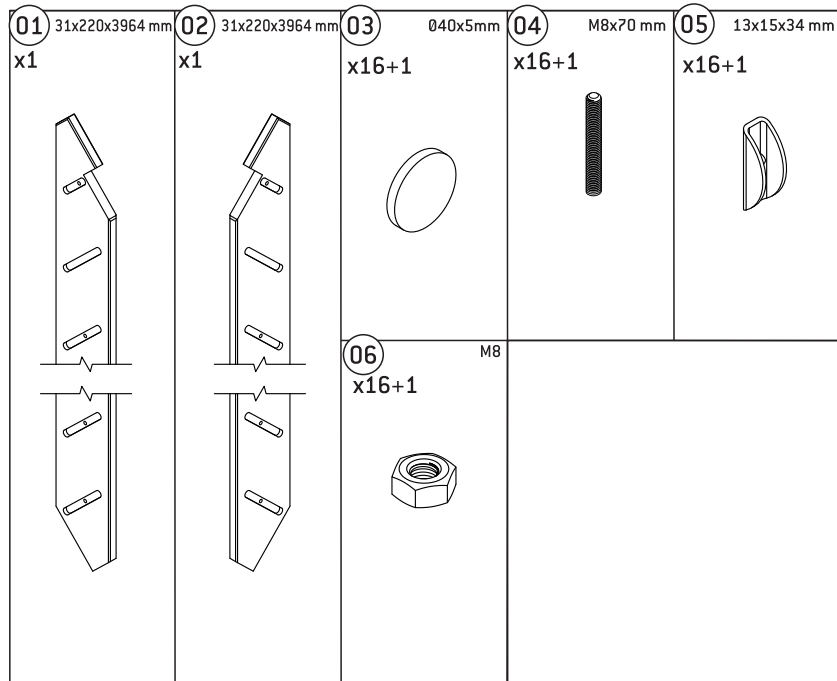
- Ⓡ SAVOIE/JURA 2 LIMONS
- Ⓡ SAVOIE/JURA 2 WANGEN
- Ⓡ SAVOIE/JURA STRINGERS STRAIGHT STAIR
- Ⓡ SAVOIE/JURA 2 WANGEN
- Ⓡ SAVOIE/JURA 2 ZANCAS ESCALERA RECTA
- Ⓡ SAVOIE/JURA VANGURI SCARA DREAPTA



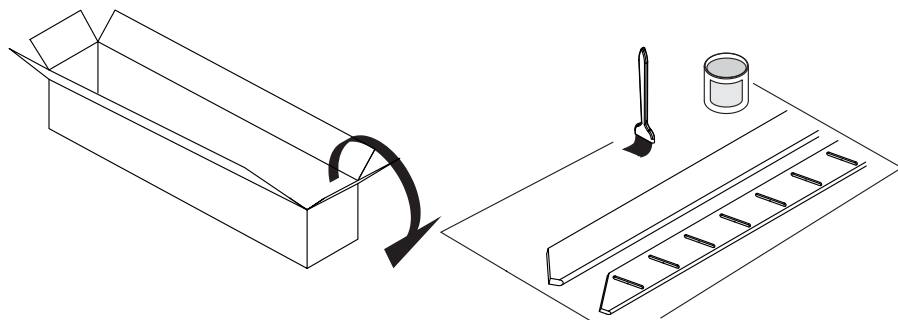
- Acm
- B.....cm
- Ccm
- Dcm
- Ecm



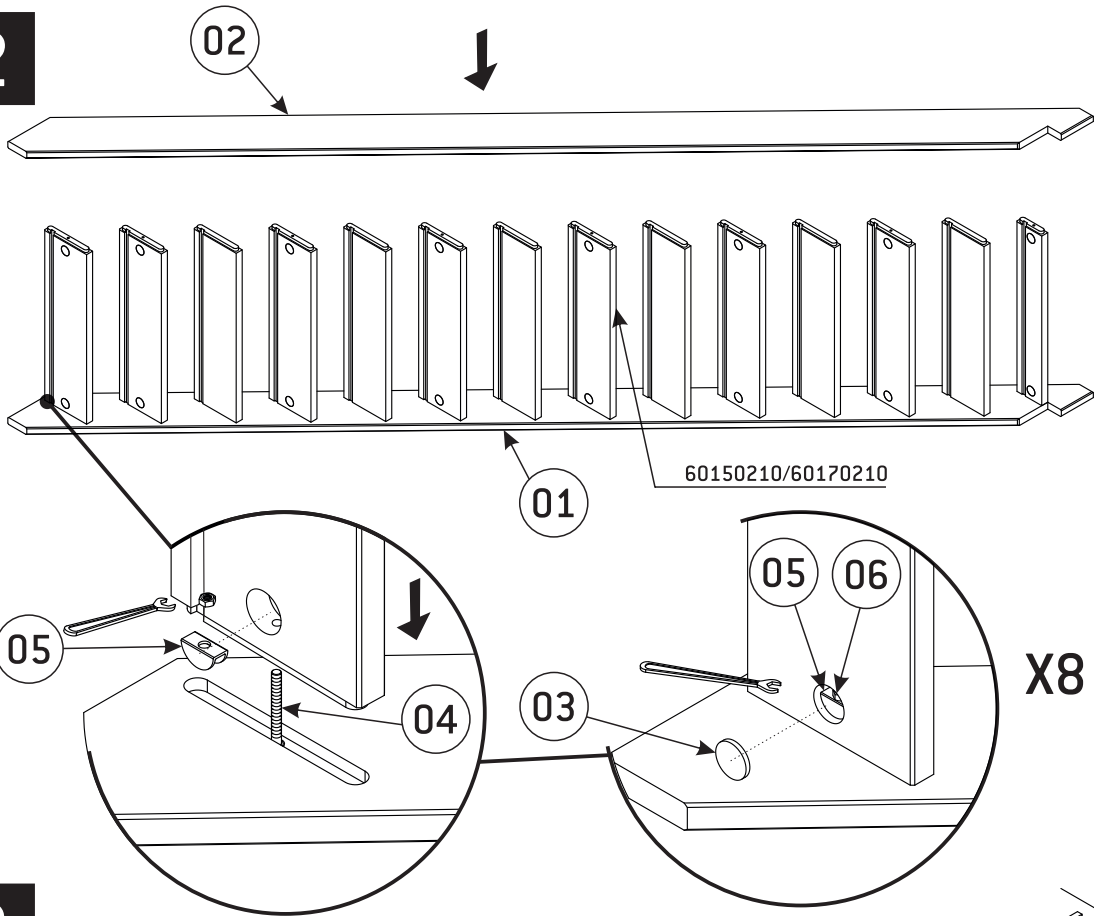
- Acm
- B.....cm
- Ccm
- Dcm
- Ecm



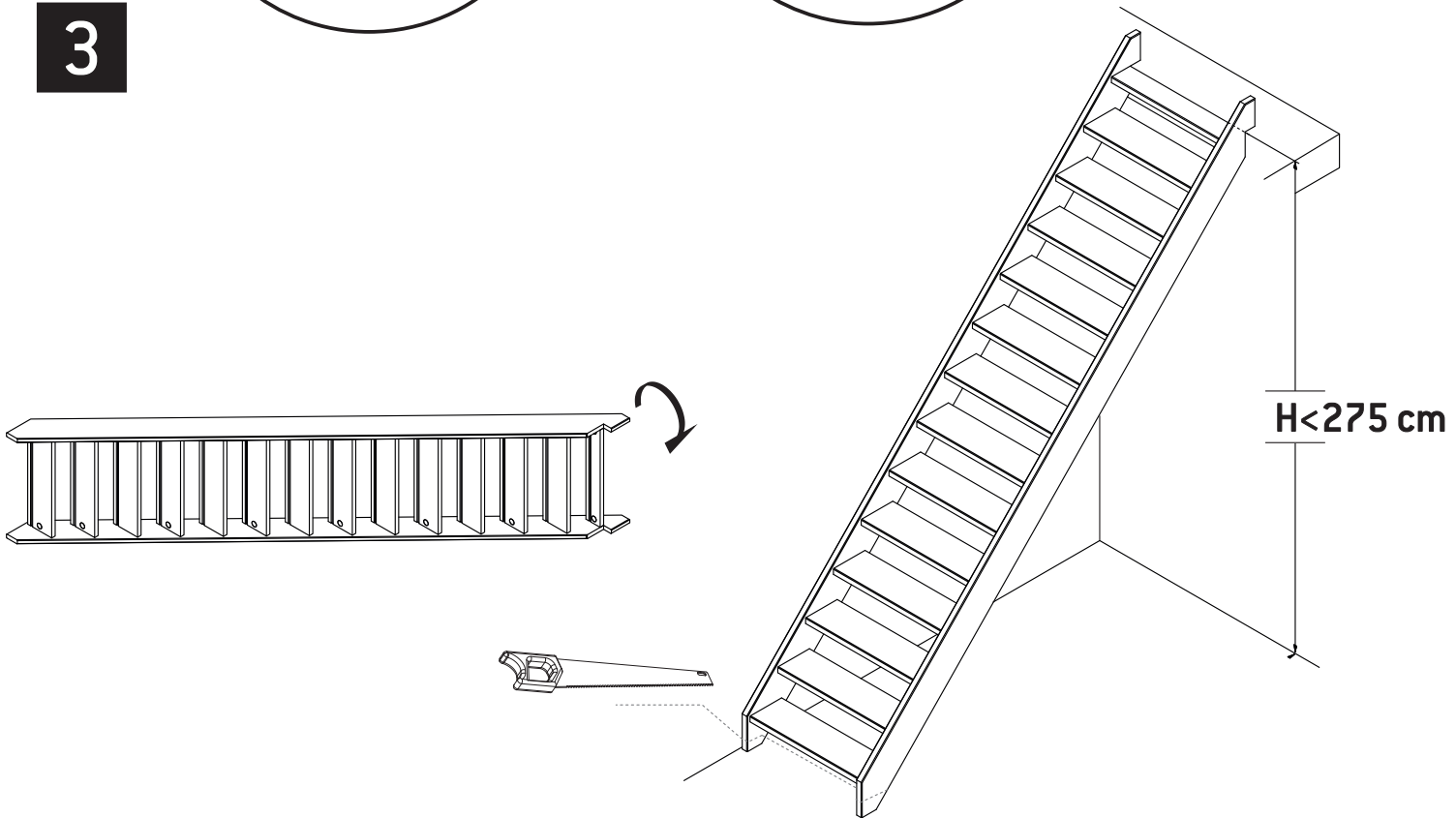
1



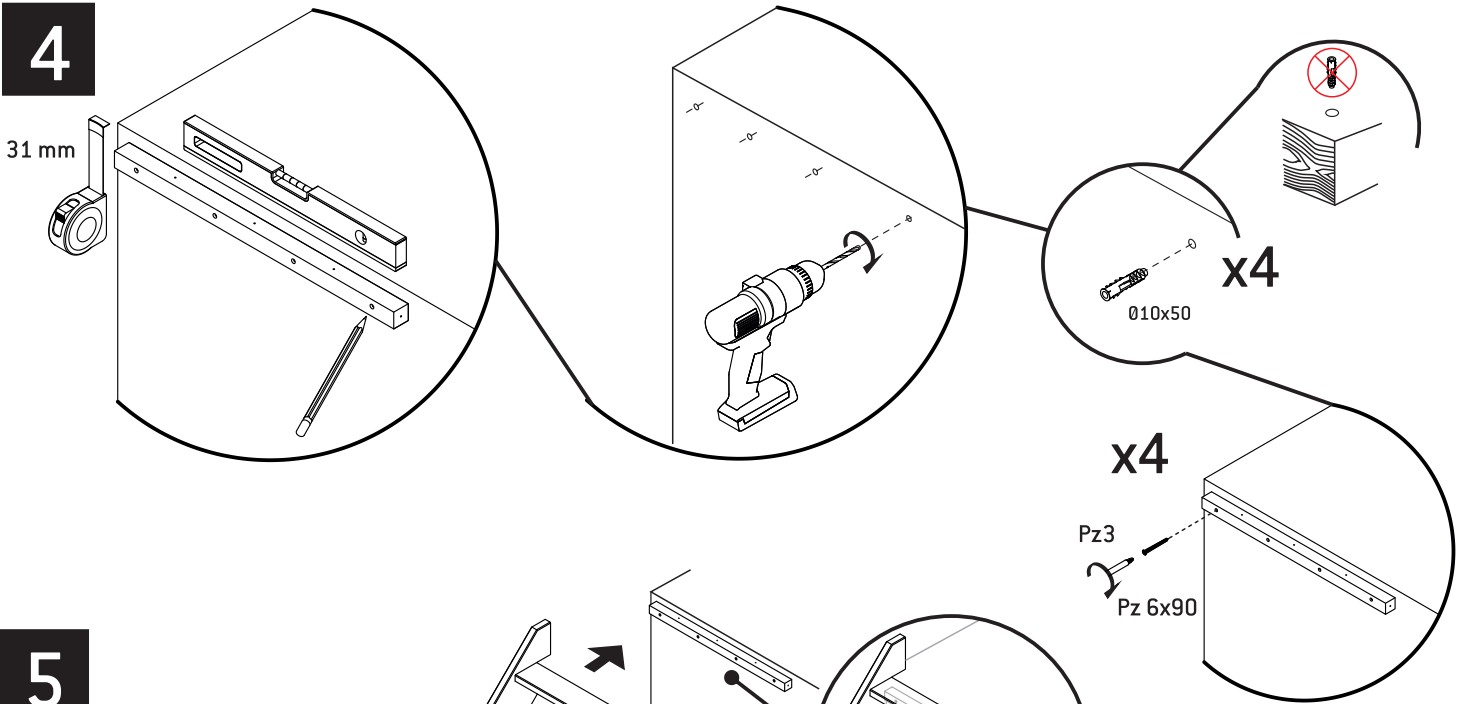
2



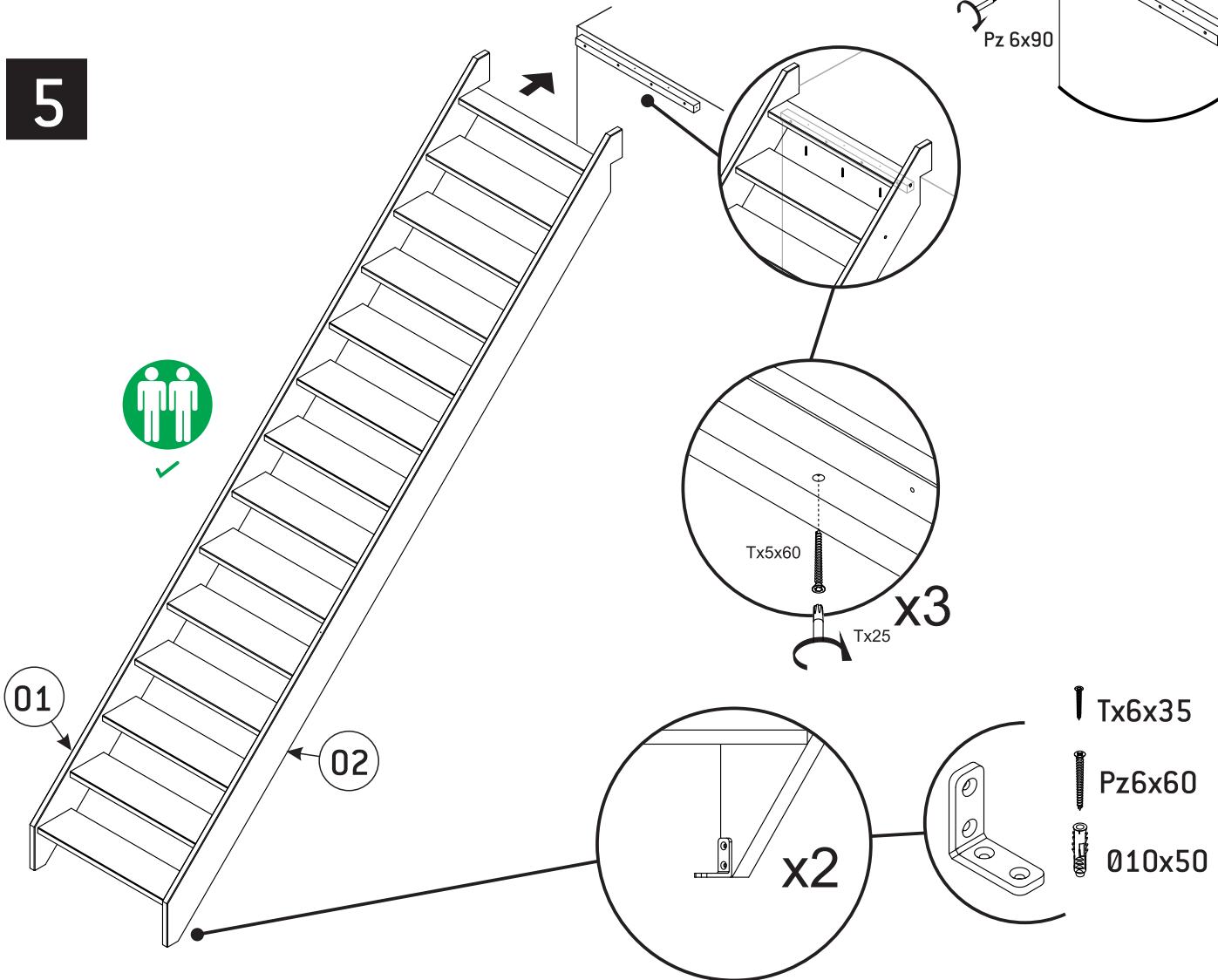
3



4



5



RUE GRIMARD, 39 B-6061 MONTIGNIES-SUR-SAMBRE (CHARLEROI) - BELGIUM
 TEL: +32/71/25.39.60 FAX: +32/71/25.39.72 E-MAIL: info@sogem-sa.com