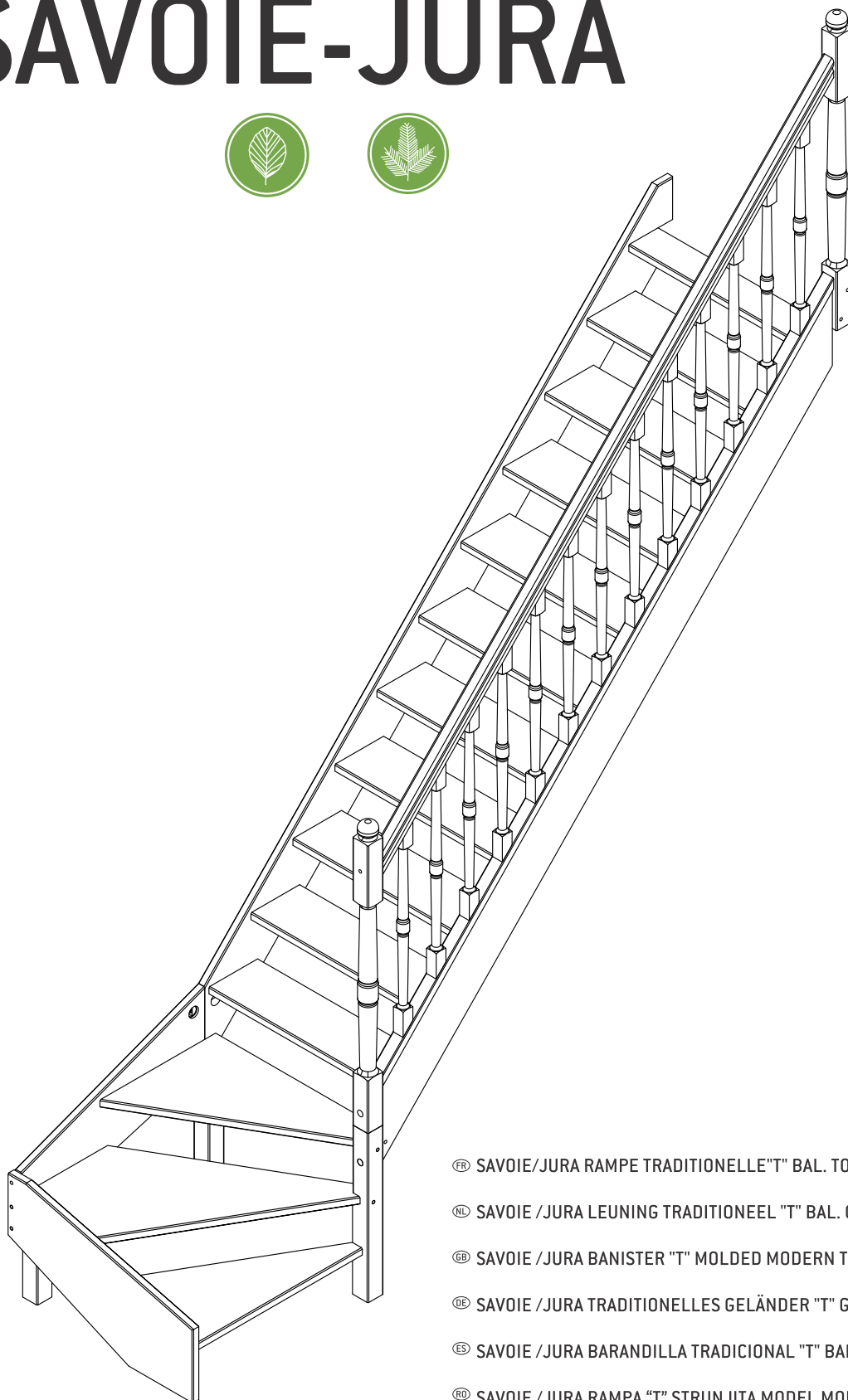


SAVOIE-JURA



FR SAVOIE/JURA RAMPE TRADITIONELLE "T" BAL. TOURNEES ESC. 1/4 TOURNANT

NL SAVOIE /JURA LEUNING TRADITIONEEL "T" BAL. GEDRAAID 1/4-SLAG

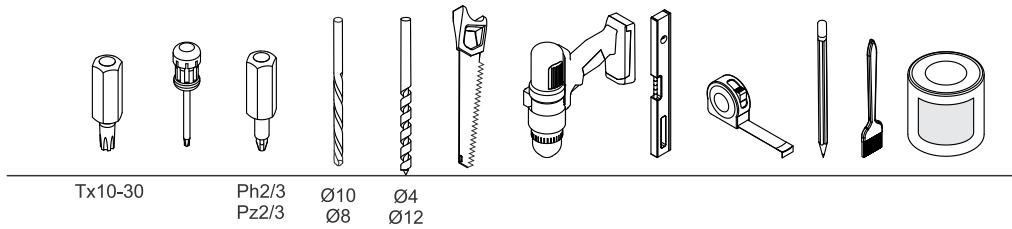
GB SAVOIE /JURA BANISTER "T" MOLDED MODERN TYPE 1/4T STAIRCASE

DE SAVOIE /JURA TRADITIONELLES GELÄNDER "T" GEDREHTE STÄBE GEWENDELTE TREPPE

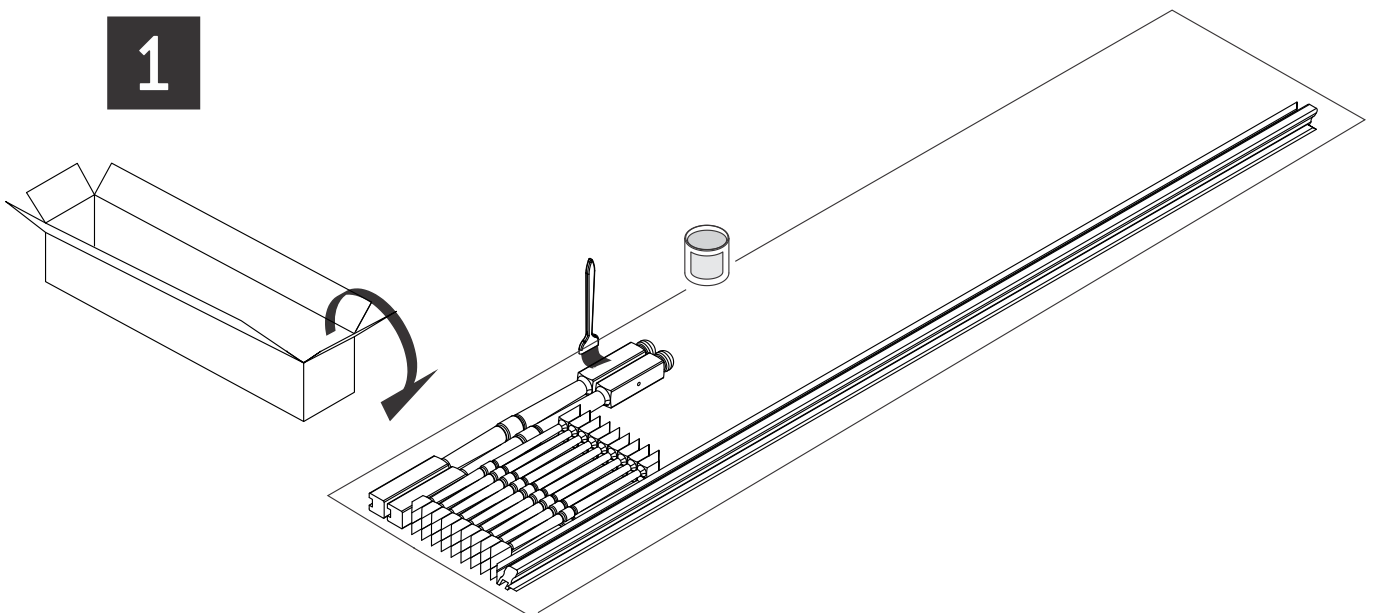
ES SAVOIE /JURA BARANDILLA TRADICIONAL "T" BALAUSTRÉS TORNEADOS ESC. 1/4 DE GIRO

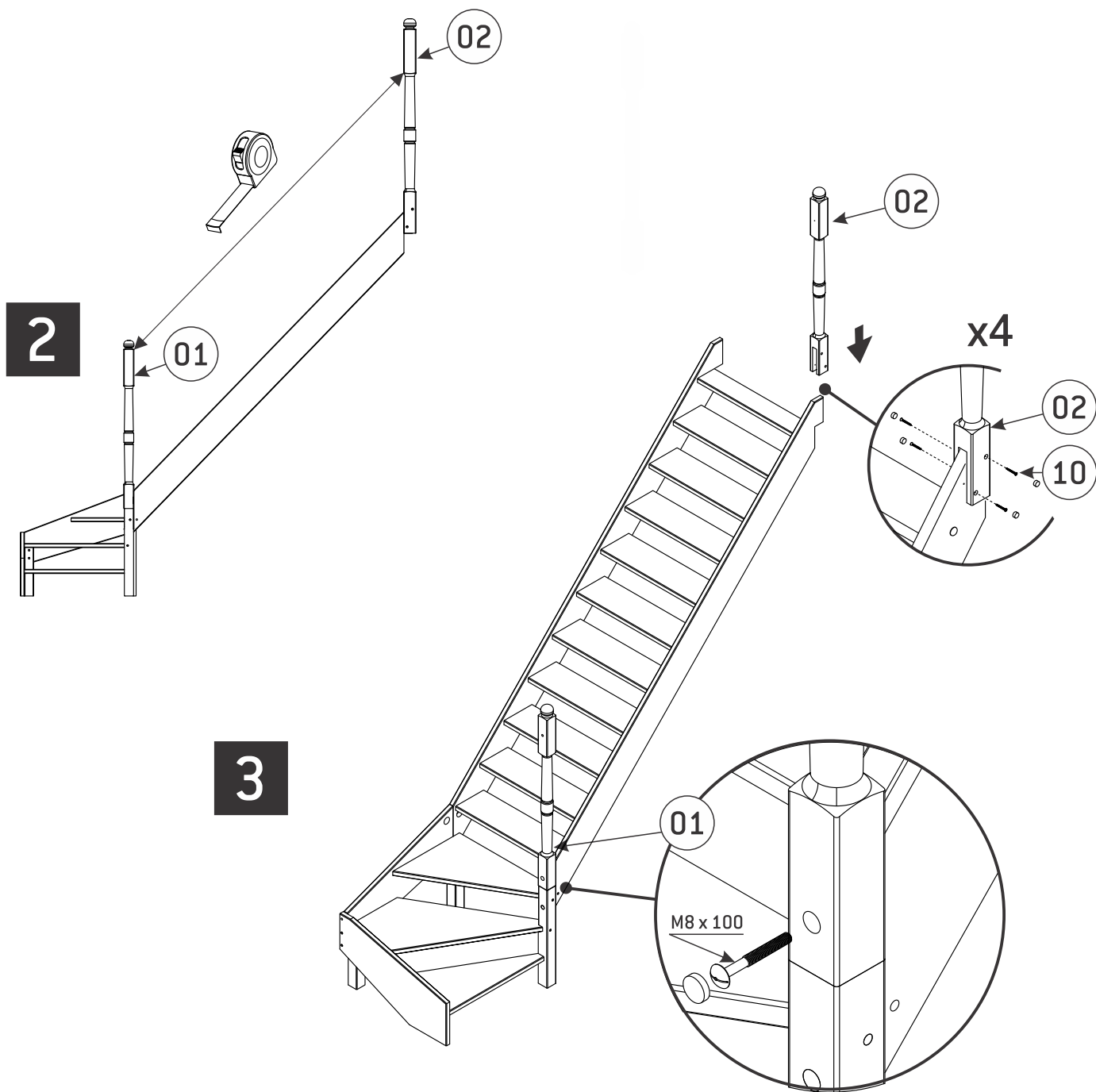
RO SAVOIE /JURA RAMPA "T" STRUNJITA MODEL MODERN SCARA 1/4 T

01 70x70x1189 mm x1 	02 70x70x1214 mm x1 	03 44x44x831 mm x13 	04 50x50x3150 mm x1 	05 32x54x3150 x1 	06 26x16x3150 mm x1 	07 16x25x168 mm x2 	08 Ø12x6 mm x9+2 	09 Ø4x45 mm x3+2 	10 Ø4x40 mm x46+2 	11 Ø5x60 mm x2+1
-----------------------------------	-----------------------------------	-----------------------------------	-----------------------------------	--------------------------------	-----------------------------------	----------------------------------	--------------------------------	--------------------------------	---------------------------------	--------------------------------

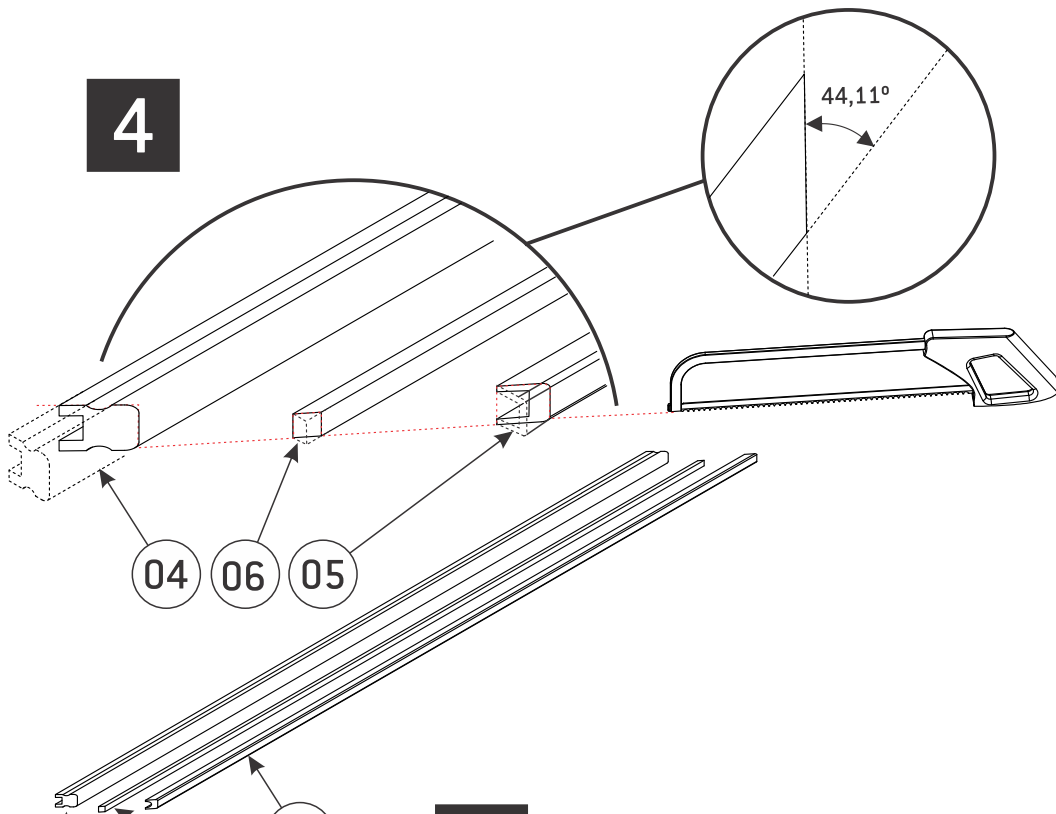


1

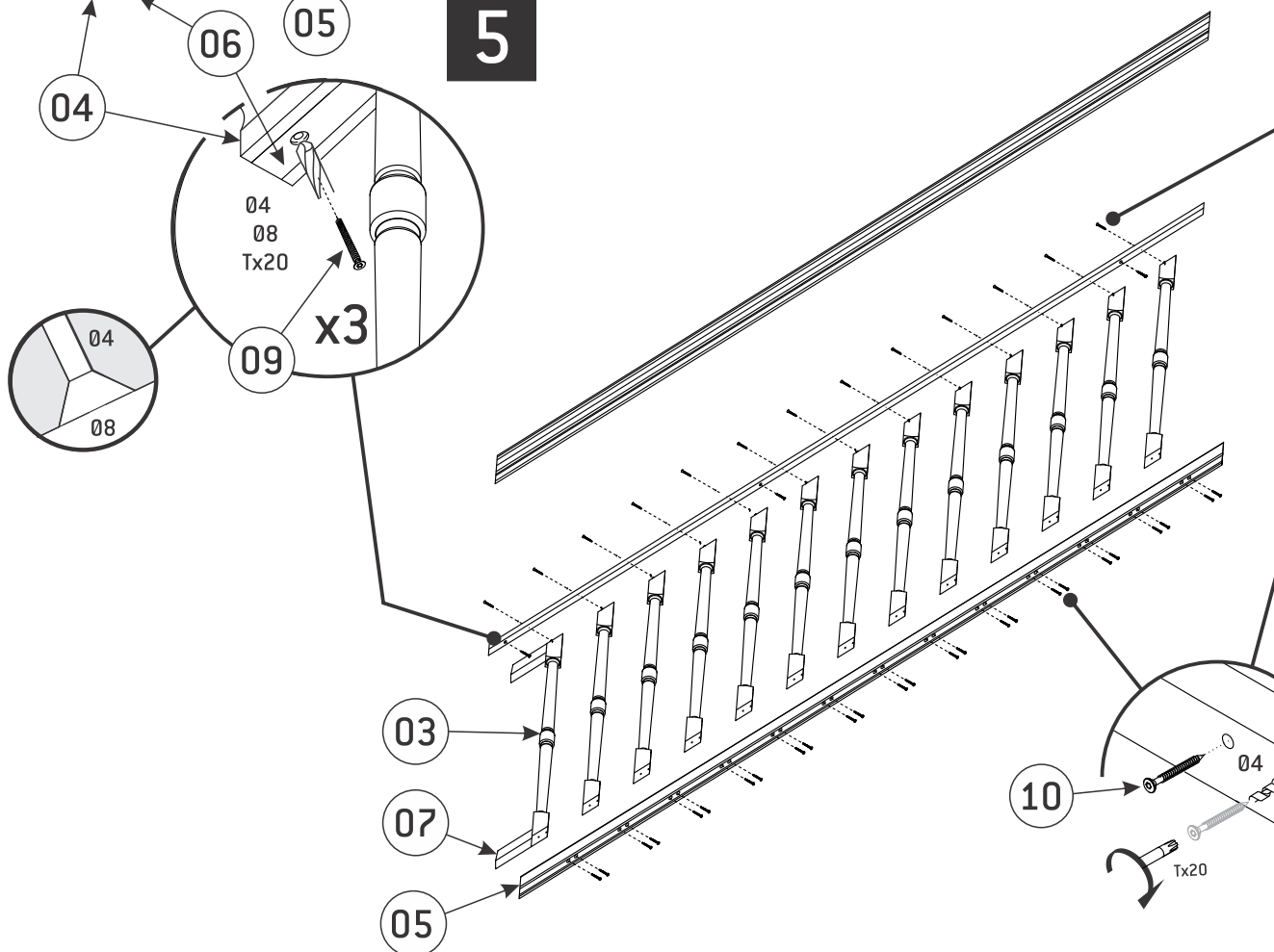




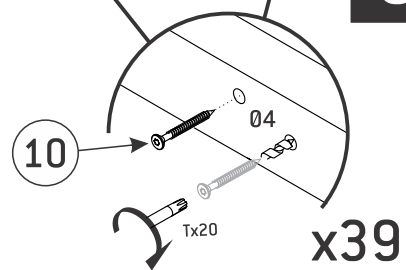
4

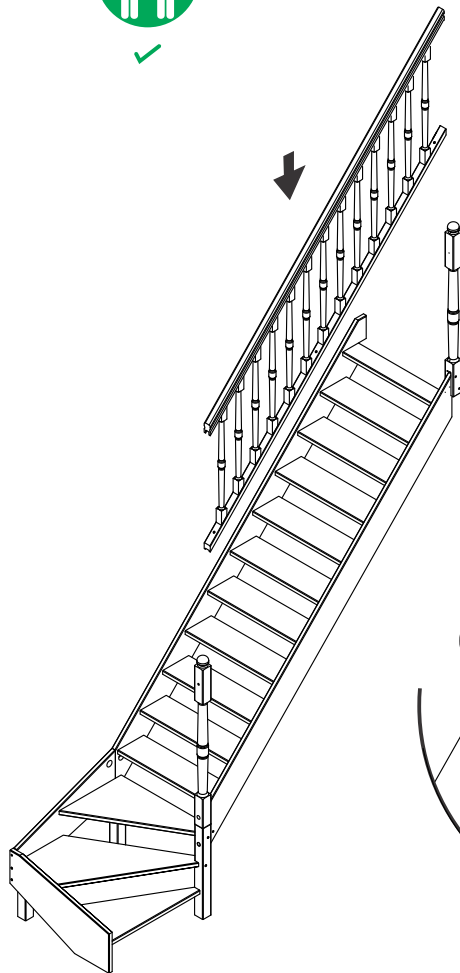


5

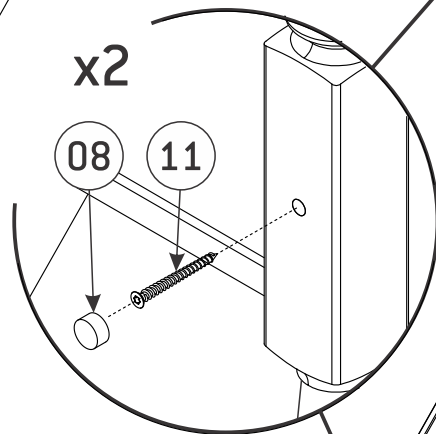


6

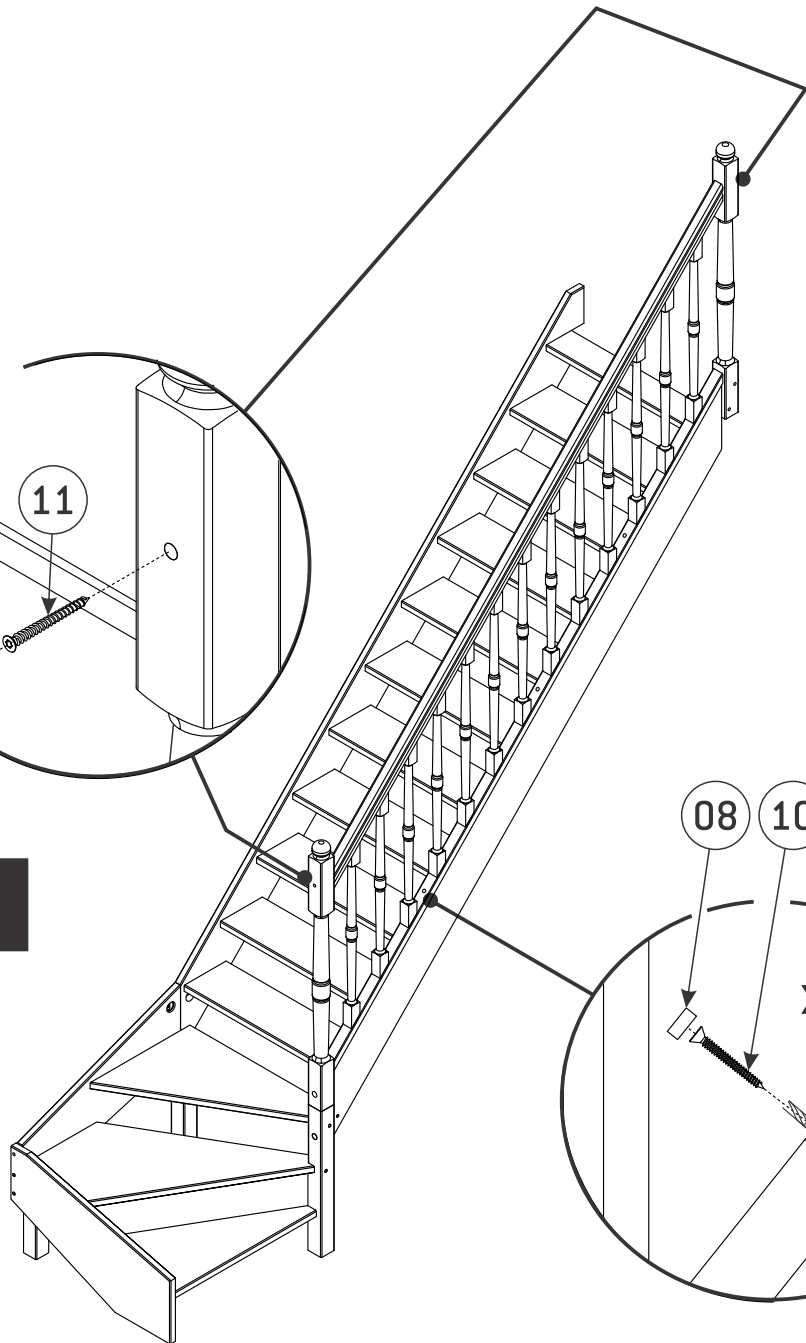




6



7



RUE GRIMARD, 39 B-6061 MONTIGNIES-SUR-SAMBRE (CHARLEROI) - BELGIUM
 TEL: +32/71/25.39.60 FAX: +32/71/25.39.72 E-MAIL: info@sogem-sa.com