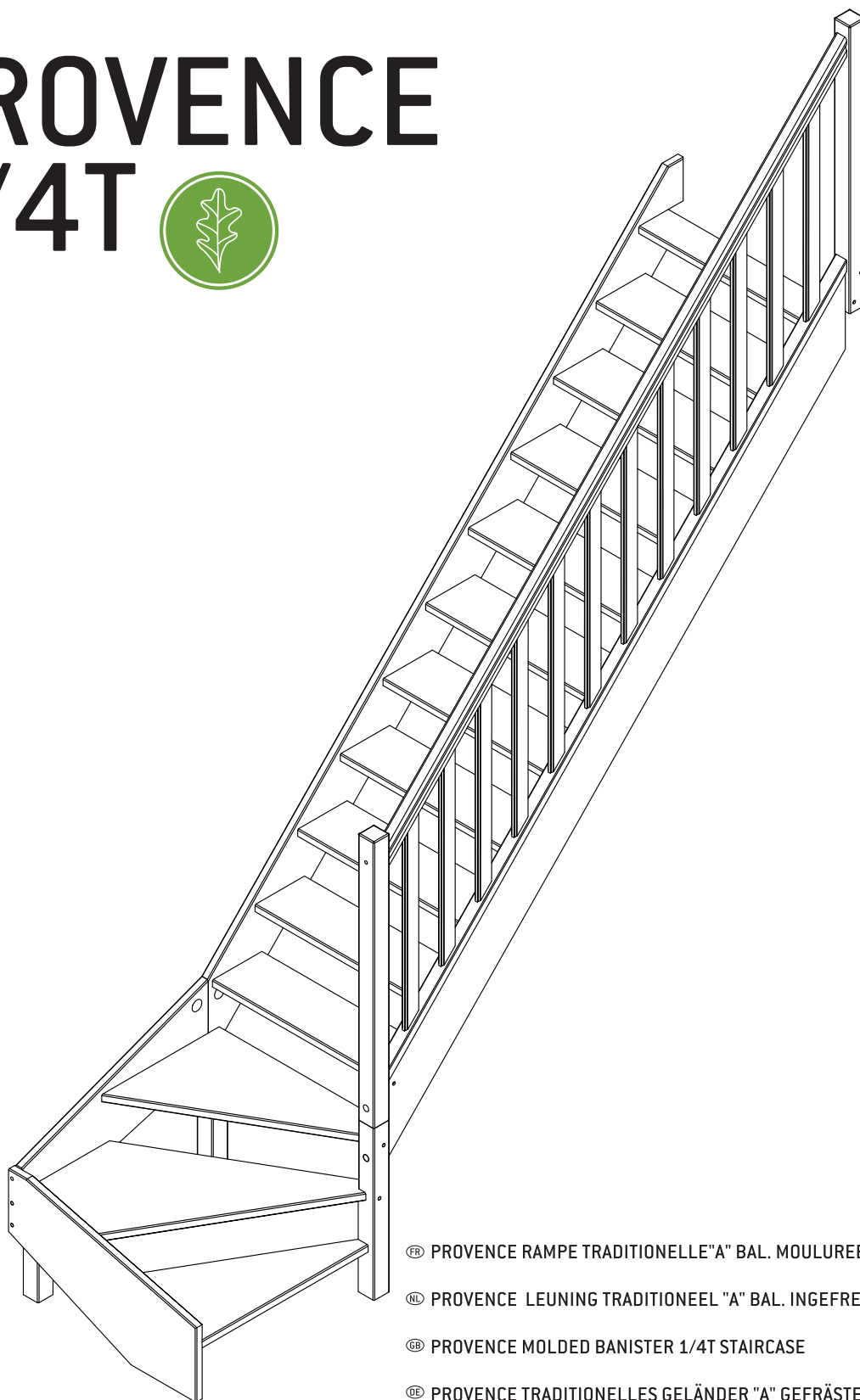


# PROVENCE 1/4T



FR PROVENCE RAMPE TRADITIONELLE "A" BAL. MOULUREES ESC. 1/4 TOURNANT

NL PROVENCE LEUNING TRADITIONEEL "A" BAL. INGEFREESD 1/4-SLAG

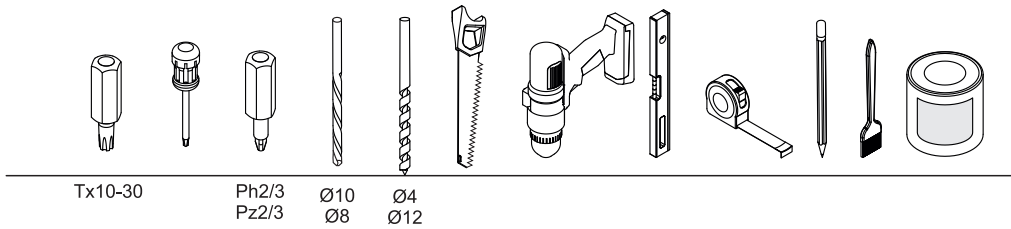
GB PROVENCE MOLDED BANISTER 1/4T STAIRCASE

DE PROVENCE TRADITIONELLES GELÄNDER "A" GEFRÄSTE STÄBE GEWENDELTE TREPPE

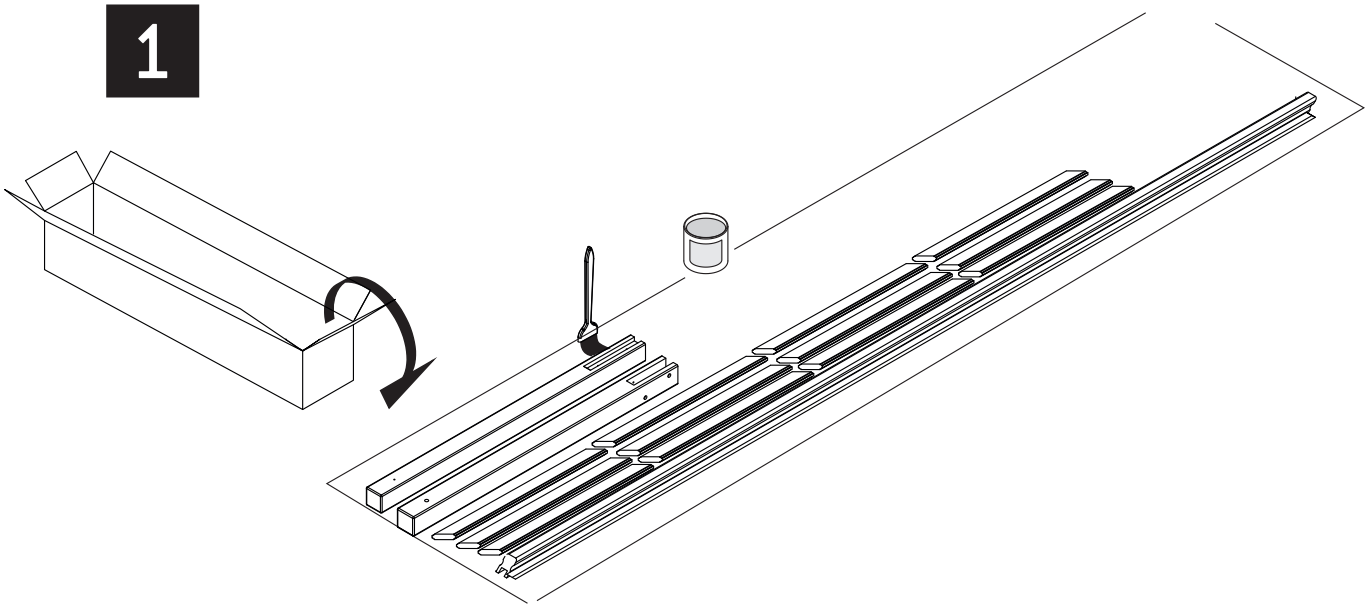
ES PROVENCE BARANDILLA TRADICIONAL "A" BALAUSTRÉS MOLDURADOS ESC. 1/4 DE GIRO

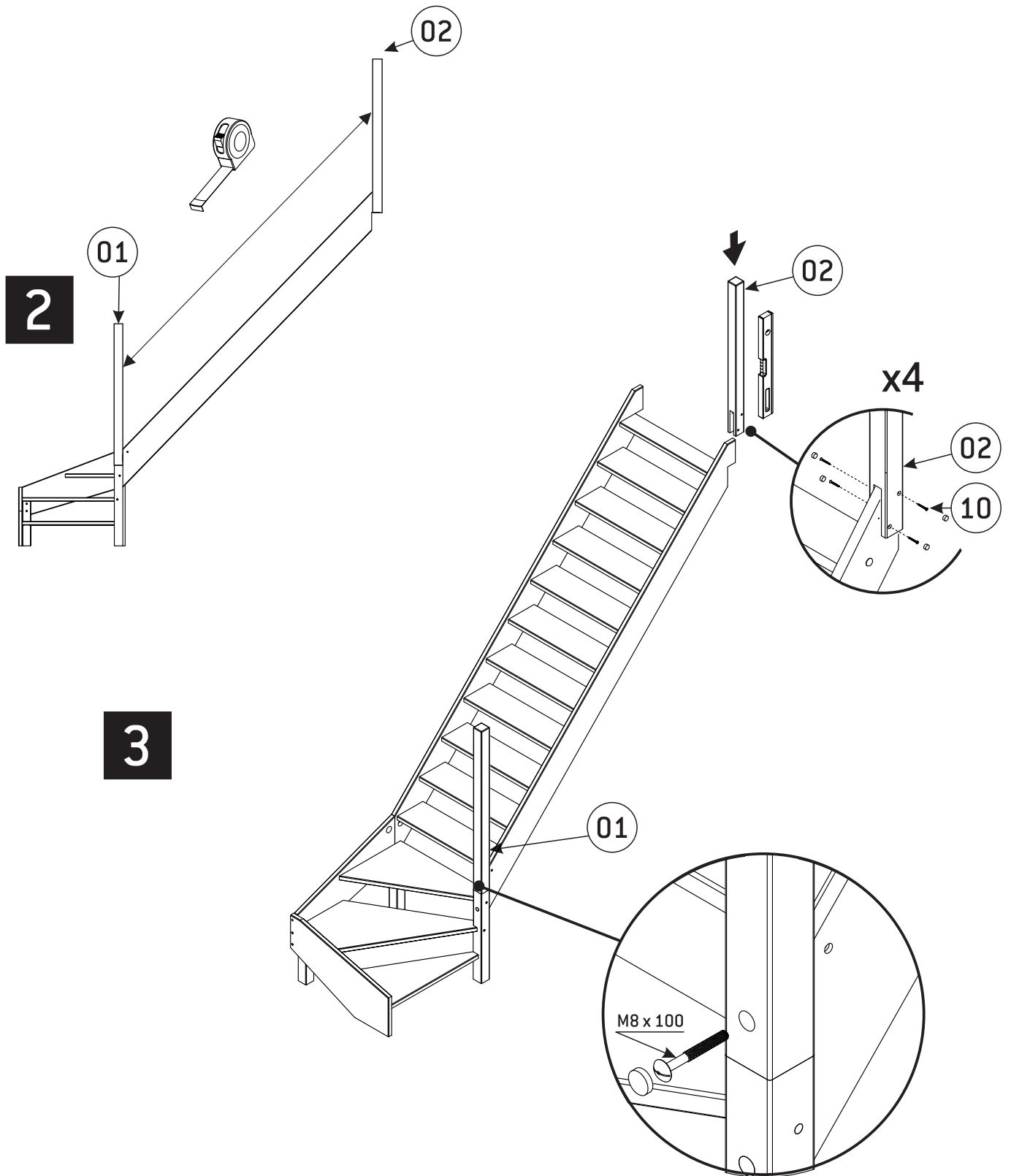
RO PROVENCE RAMPA RAMPA FREZATA SCARA 1/4 T

<b>01</b> 70x70x1105 mm x1 	<b>02</b> 70x70x1109 mm x1 	<b>03</b> 25x62x850mm x12 	<b>04</b> 50x50x3150mm x1 	<b>05</b> 32x54x3150 x1 	<b>06</b> 26x16x3150mm x1 	<b>07</b> 45x25x176.49mm x2 	<b>09</b> 04x45mm x3+2 	<b>11</b> 05x60 mm x2+2 
						<b>08</b> 012x6mm x9+2 	<b>10</b> 04x40 mm x43+2 	

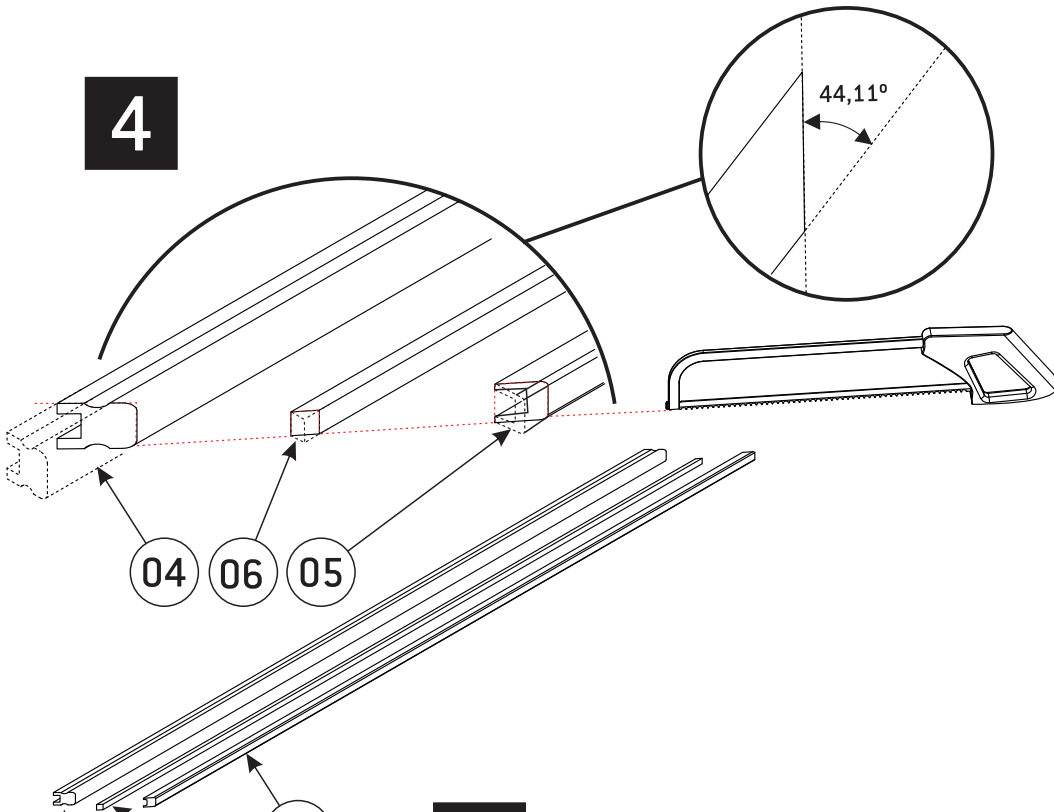


**1**

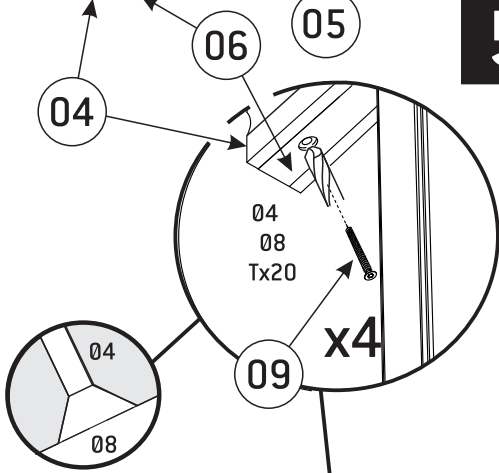




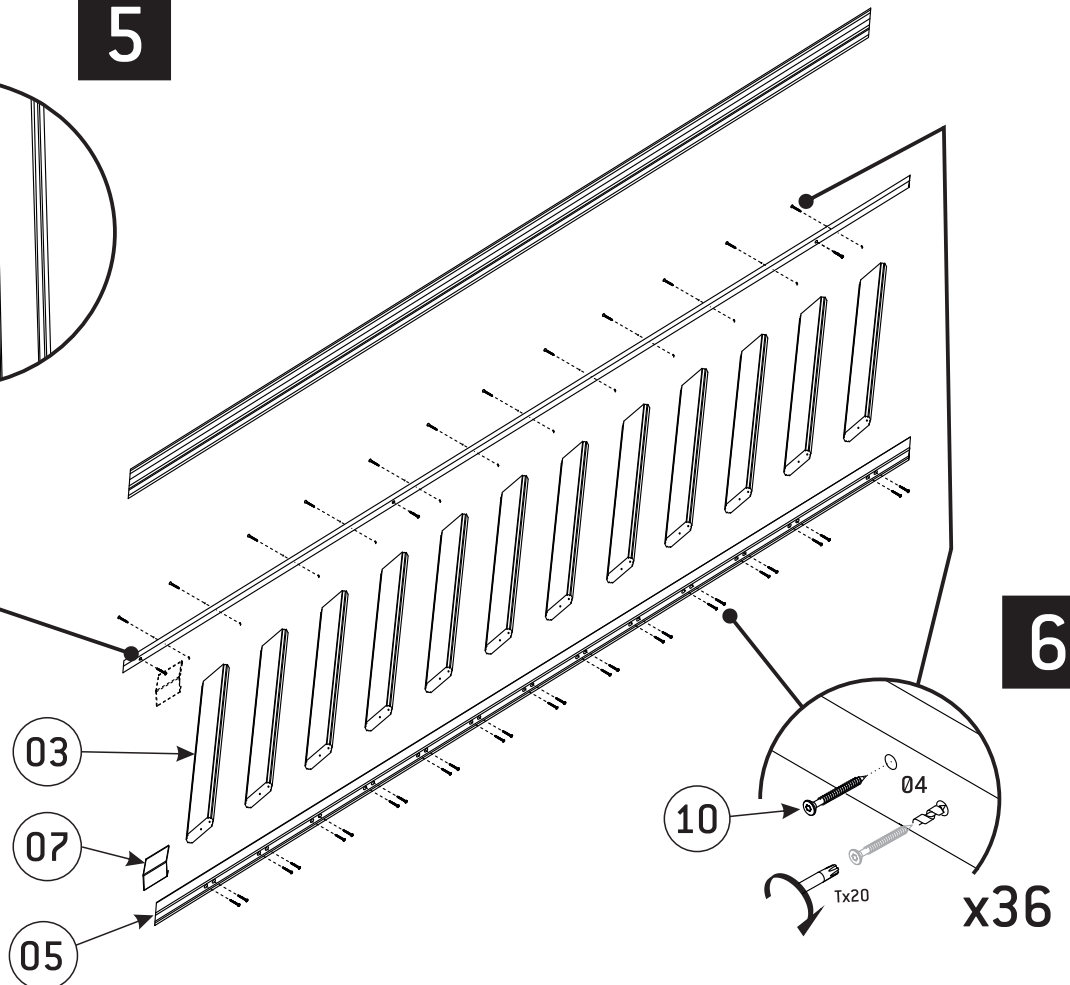
**4**



**5**

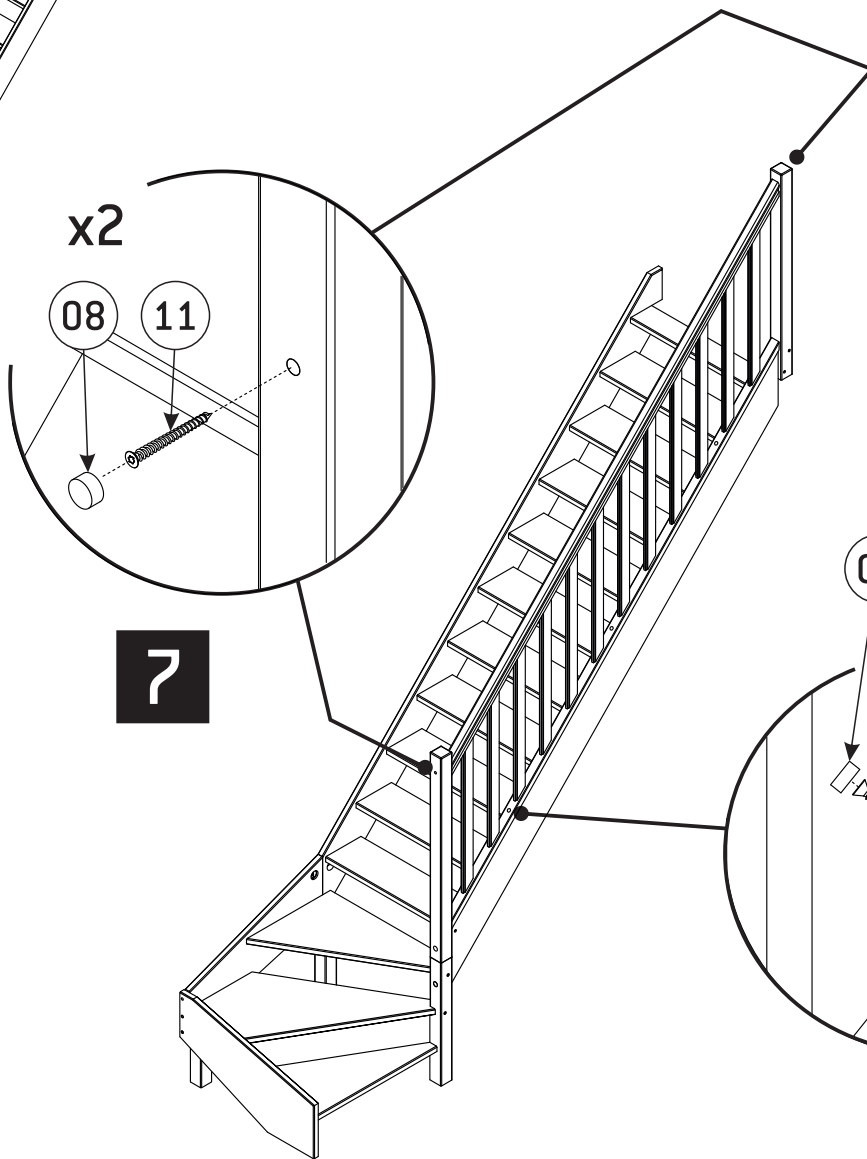
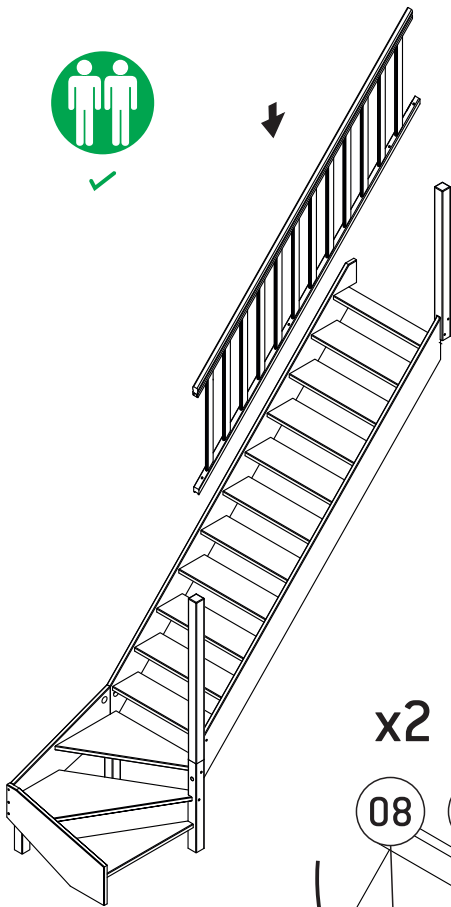


**6**





**6**



x2

08 11

**7**

08 10

x3

012  
04

RUE GRIMARD, 39 B-6061 MONTIGNIES-SUR-SAMBRE (CHARLEROI) - BELGIUM  
 TEL: +32/71/25.39.60 FAX: +32/71/25.39.72 E-MAIL: info@sogem-sa.com