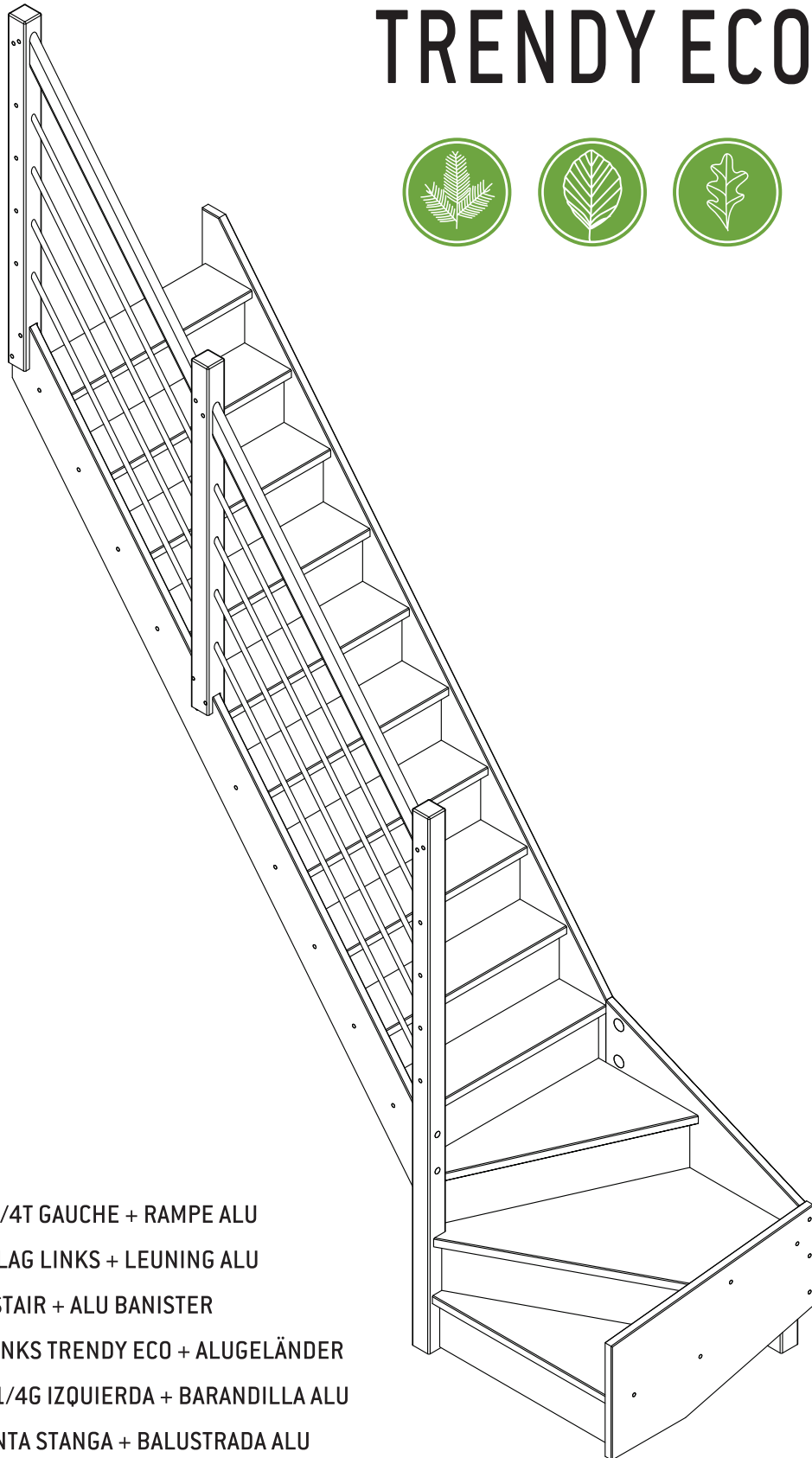
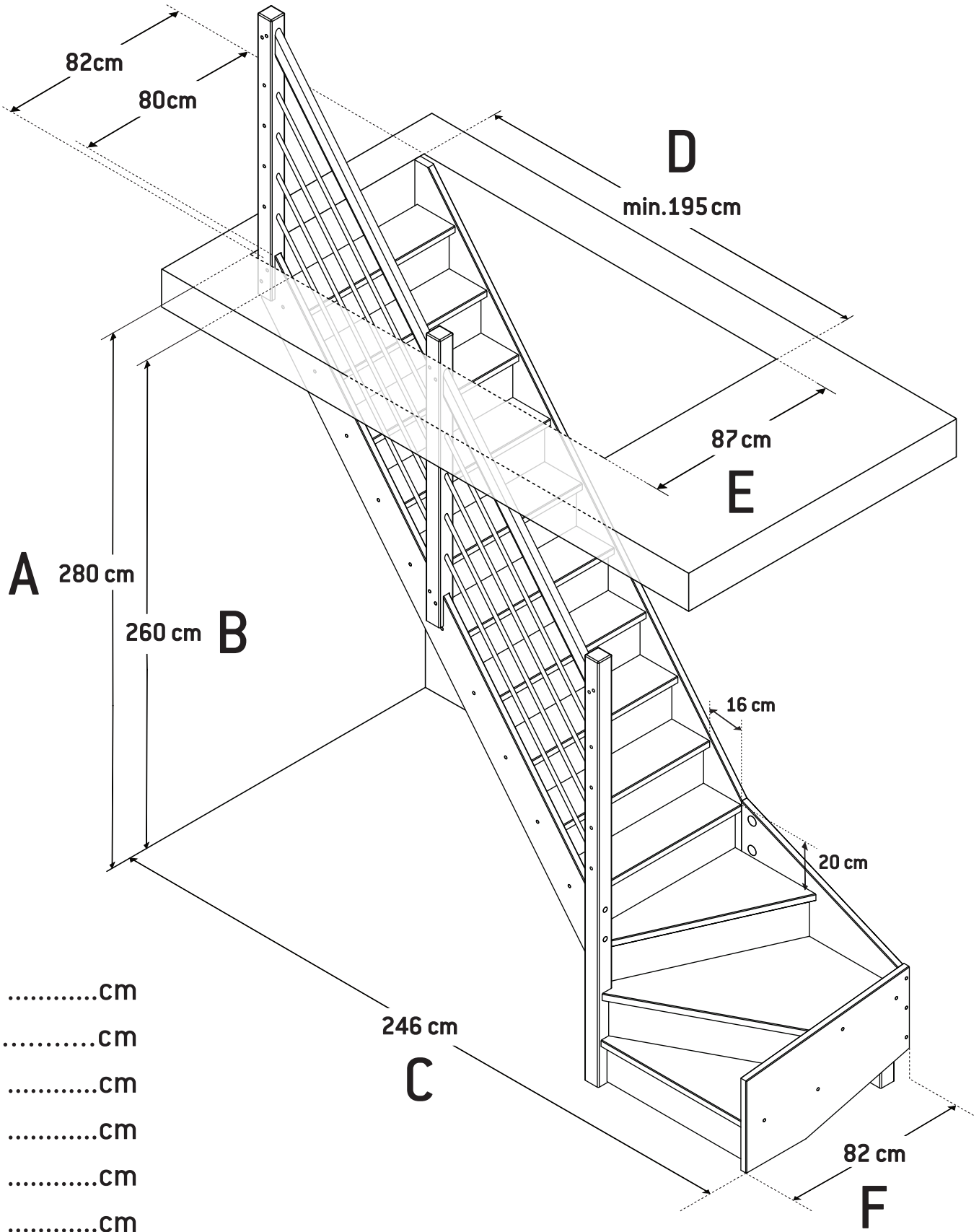




# TRENDY ECO



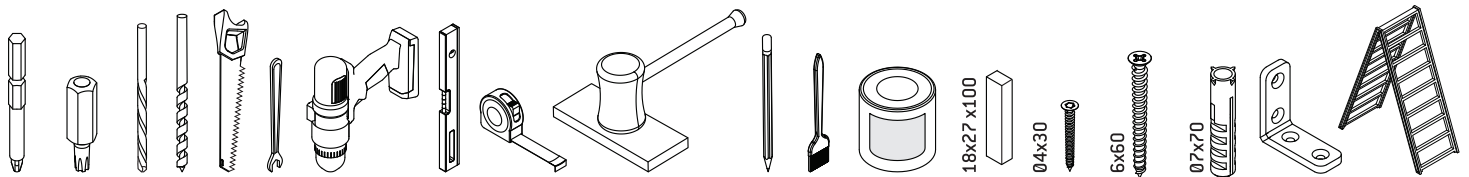
- Ⓡ TRENDY ECO ESCALIER 1/4T GAUCHE + RAMPE ALU
- Ⓡ TRENDY ECO TRAP 1/4-SLAG LINKS + LEUNING ALU
- Ⓡ TRENDY ECO 1/4T LEFT STAIR + ALU BANISTER
- Ⓡ GEWENDELTE TREPPE LINKS TRENDY ECO + ALUGELÄNDER
- Ⓡ TRENDY ECO ESCALERA 1/4G IZQUIERDA + BARANDILLA ALU
- Ⓡ TRENDY ECO 1/4 TURNANTA STANGA + BALUSTRADA ALU



- A .....cm
- B.....cm
- C .....cm
- D .....cm
- E .....cm
- F .....cm

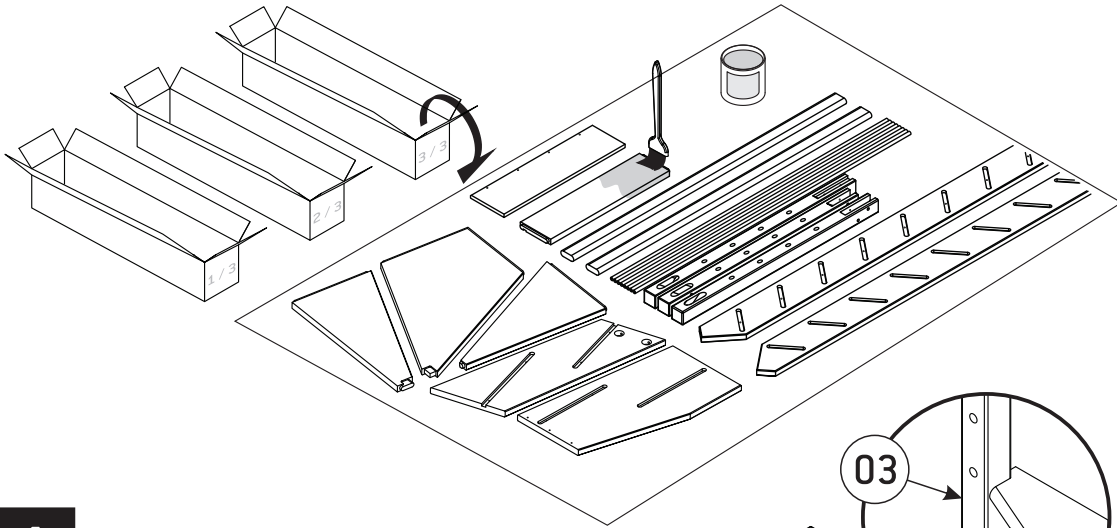


<b>01</b> 30x190x2802 x1 	<b>02</b> 30x190x2802 x1 	<b>03</b> 70x70x1889 x1 	<b>04</b> 70x70x1224 x1 	<b>05</b> 70x70x1228 x1 	<b>06</b> 30x80x1440 x1 	<b>07</b> 30x80x1192 x1 	<b>08</b> 016x1452 x4 	<b>09</b> 016x1204 x4 
<b>10</b> 30x323x1040 x1 	<b>11</b> 30x490x820 x1 	<b>12</b> 30x416x736 x1 	<b>13</b> 30x555x1079 x1 	<b>14</b> 30x406x762 x1 	<b>15</b> 70x70x370 x1 	<b>16</b> 70x70x570 x1 	<b>17</b> 18x209x760 x10 	<b>18</b> 18x209x828 x1 
<b>19</b> 18x209x828 x1 	<b>20</b> 18x177x735 x1 	<b>21</b> 30x190x762 x10 	<b>22</b> 012x5 x60+4 	<b>23</b> 020x5 x2 	<b>24</b> 040x5 x2 	<b>25</b> 06x30mm x6 	<b>26</b> 04x40 x56+2 	<b>27</b> 05x50 x20+1 
<b>28</b> 05x60 x18+1 	<b>29</b> 34x16 x2 	<b>30</b> M8x80 x2 	<b>31</b> M8x70 x2 	<b>32</b> M8 x2 	<b>33</b> 04,2x40mm x8+1 	<b>34</b> 04x35mm x8 	 	

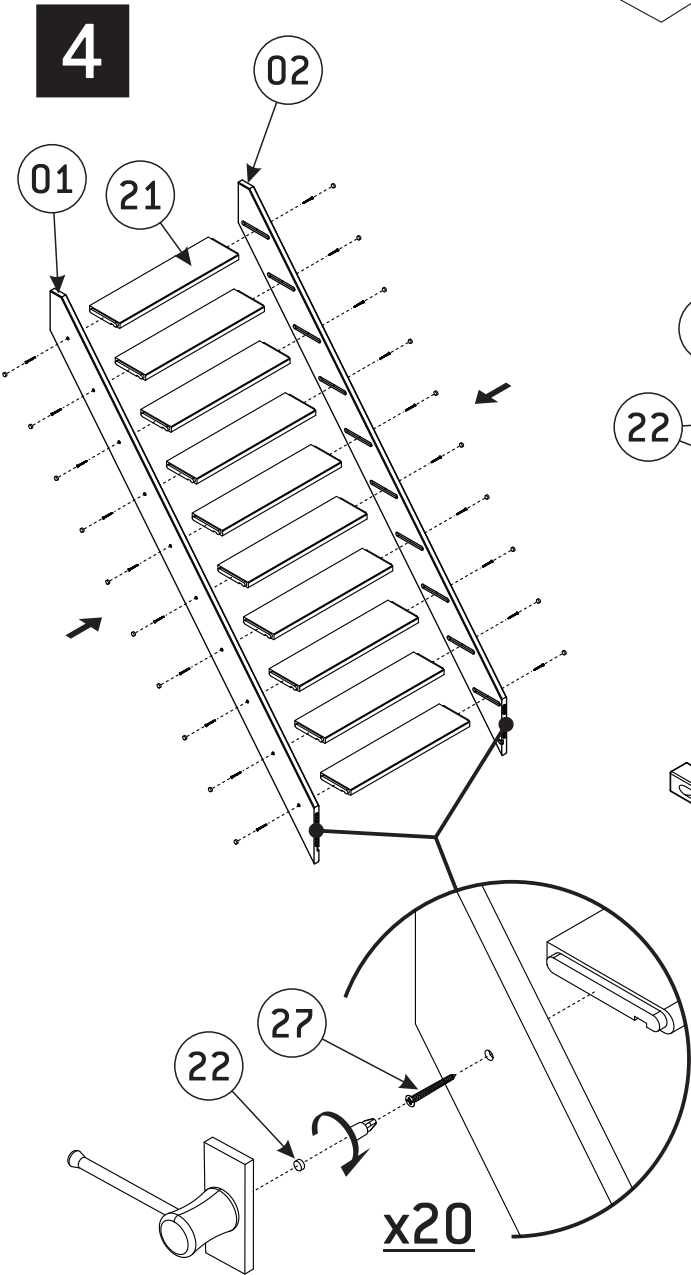


Ph2/3      03      03  
 Pz2/3 Tx10-30    07      04  
                          08

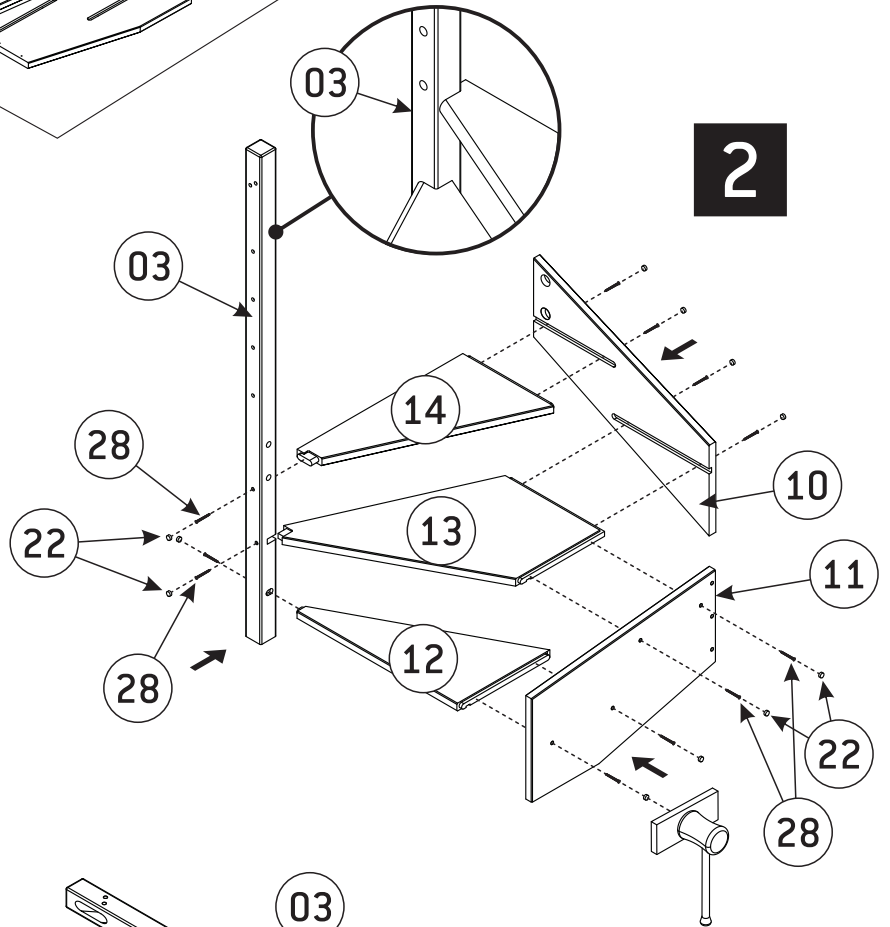
x2      x4



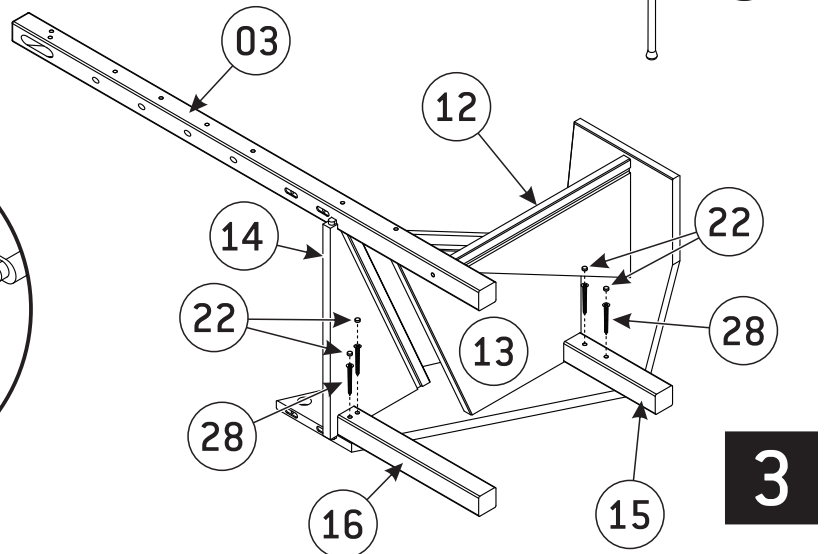
1



4



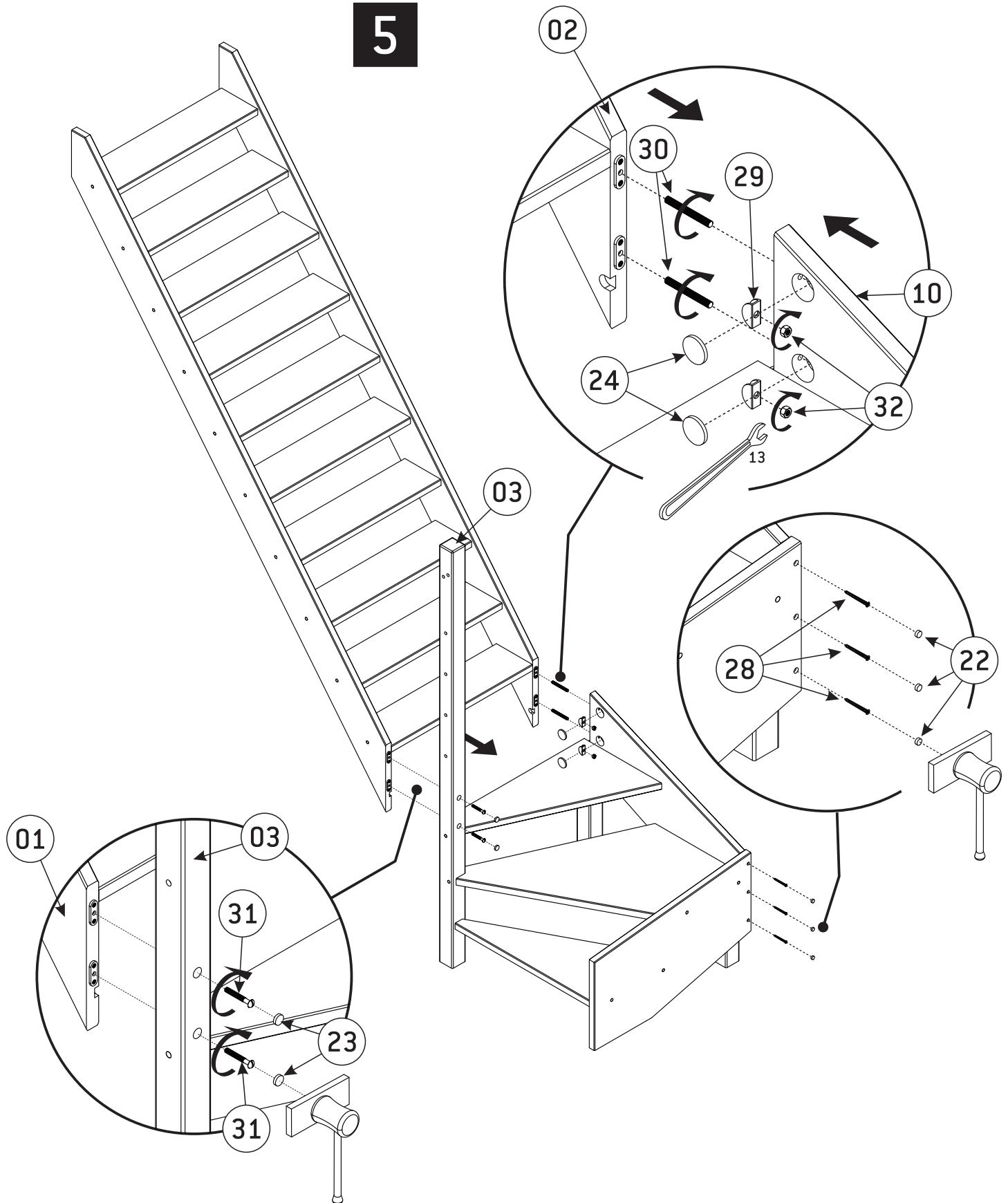
2

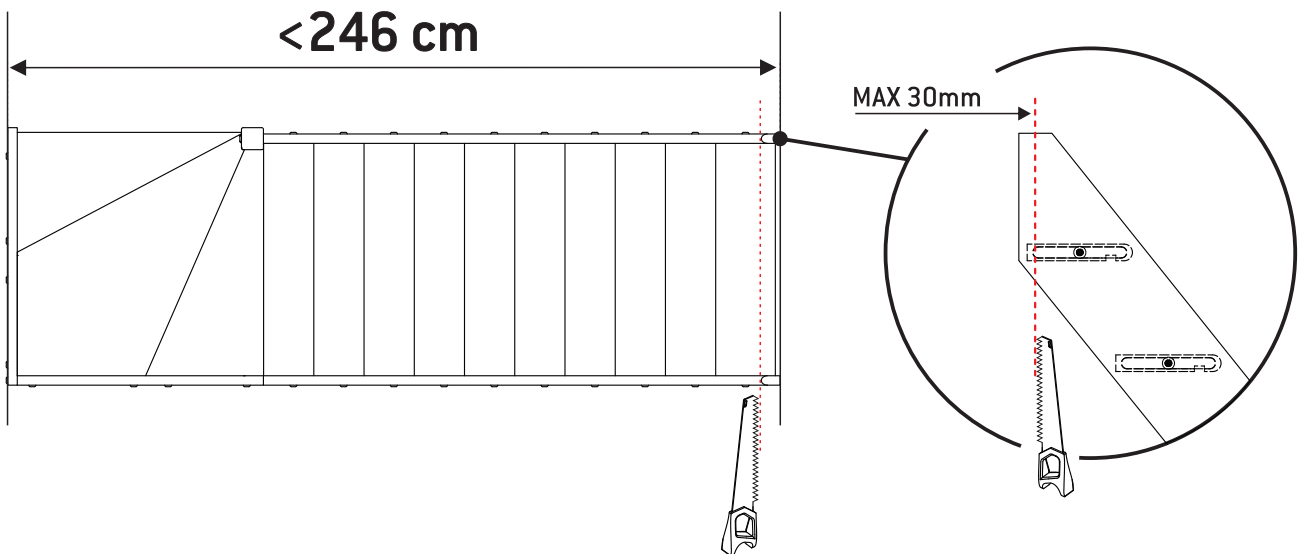
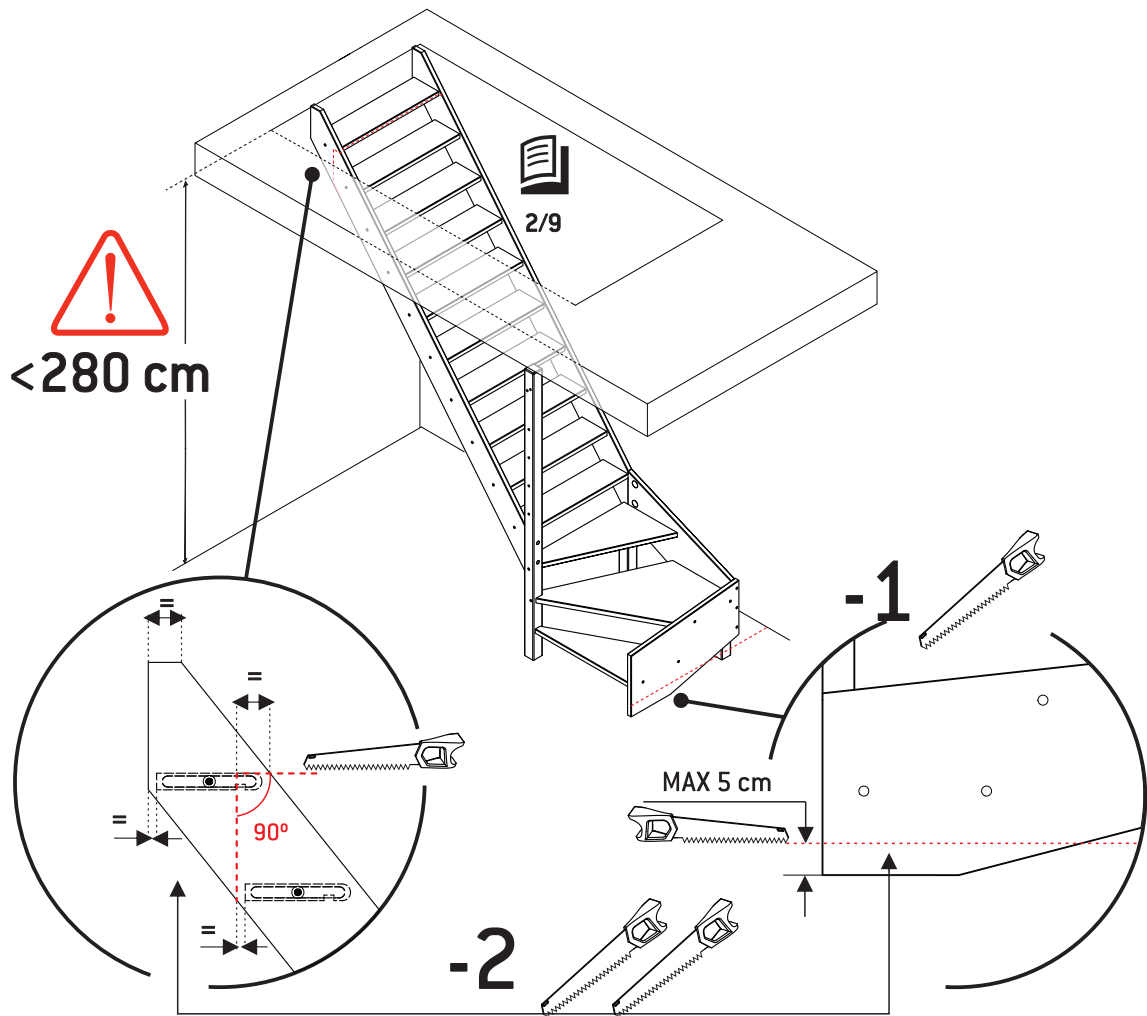


3



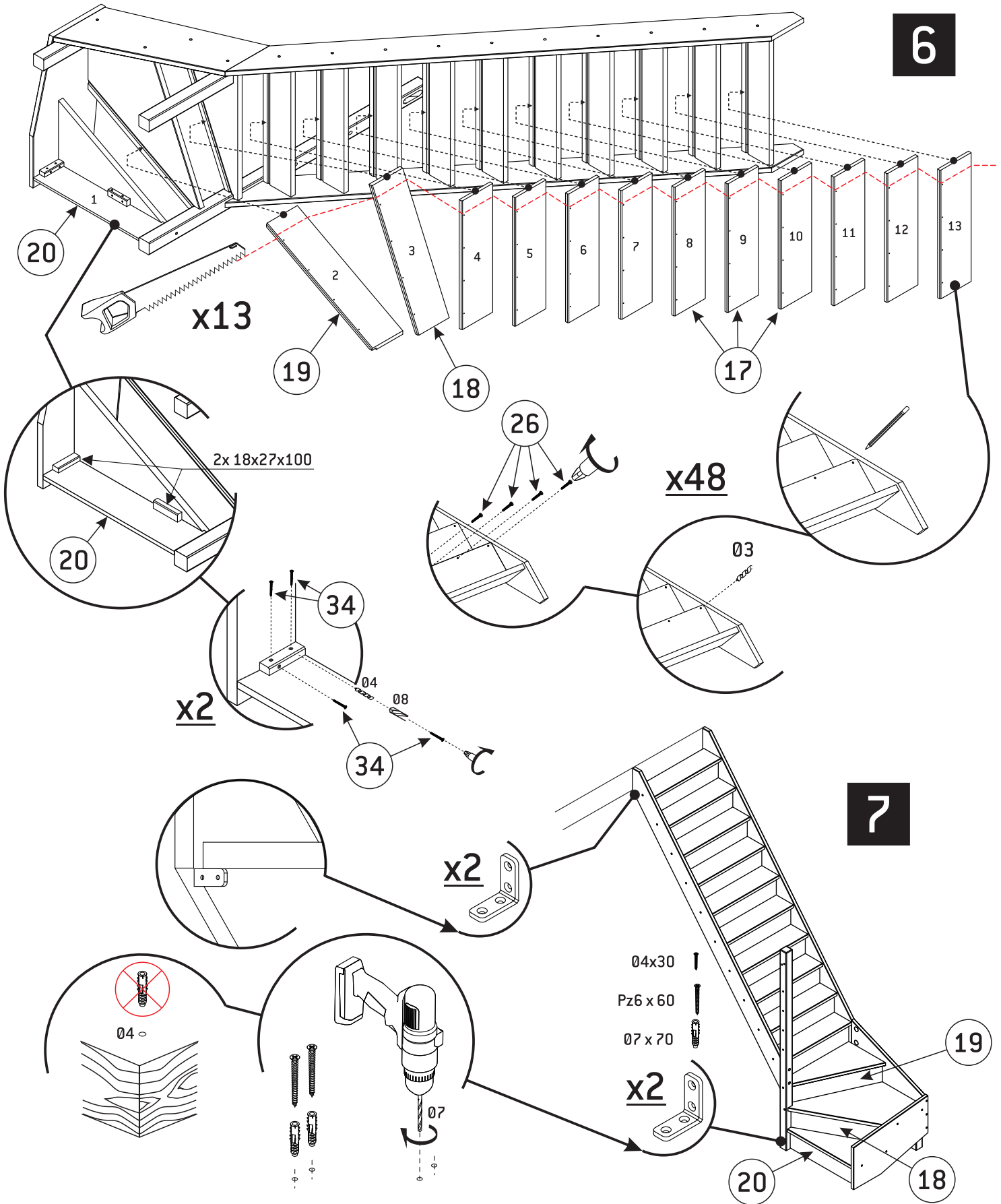
5





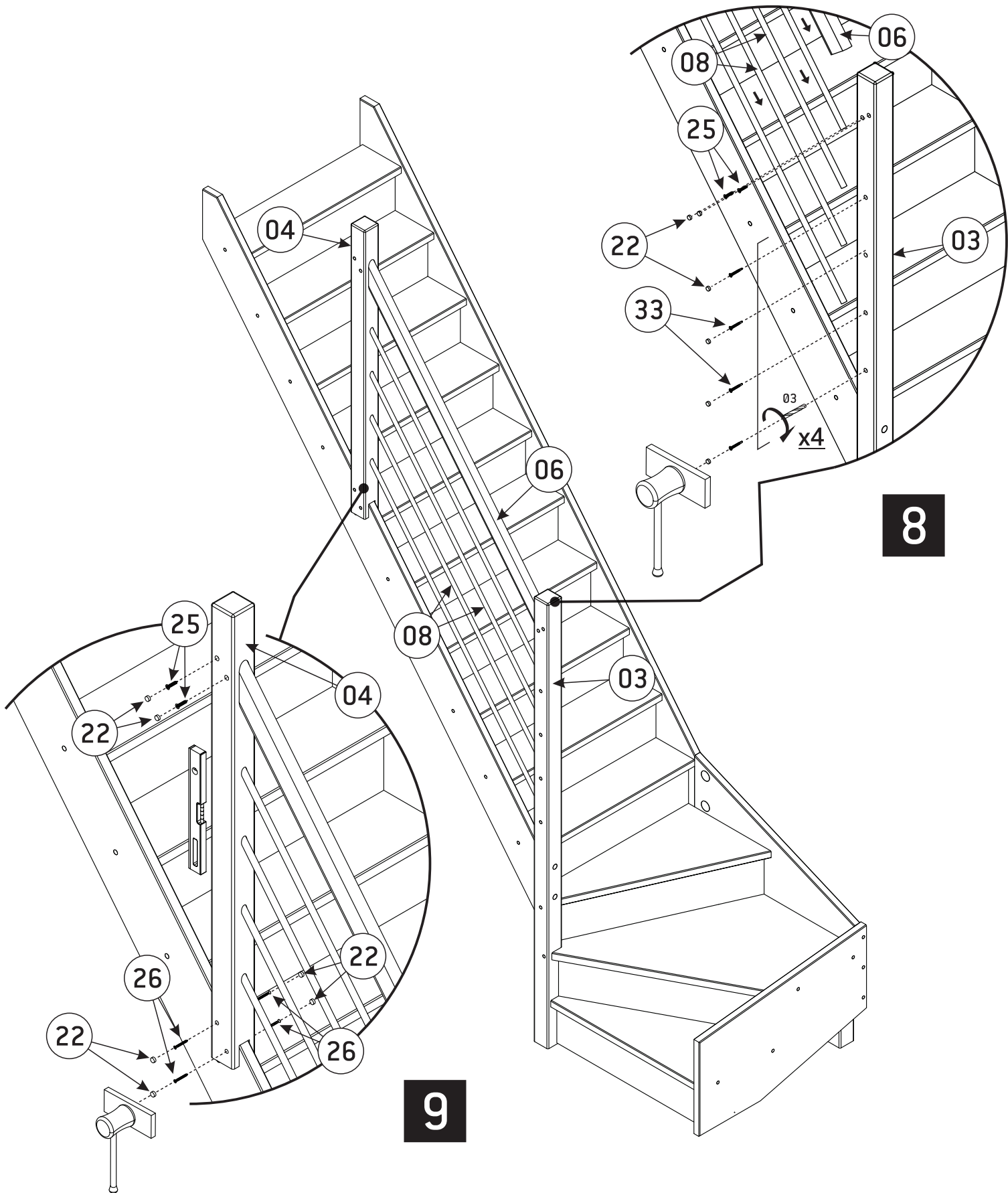


6



7

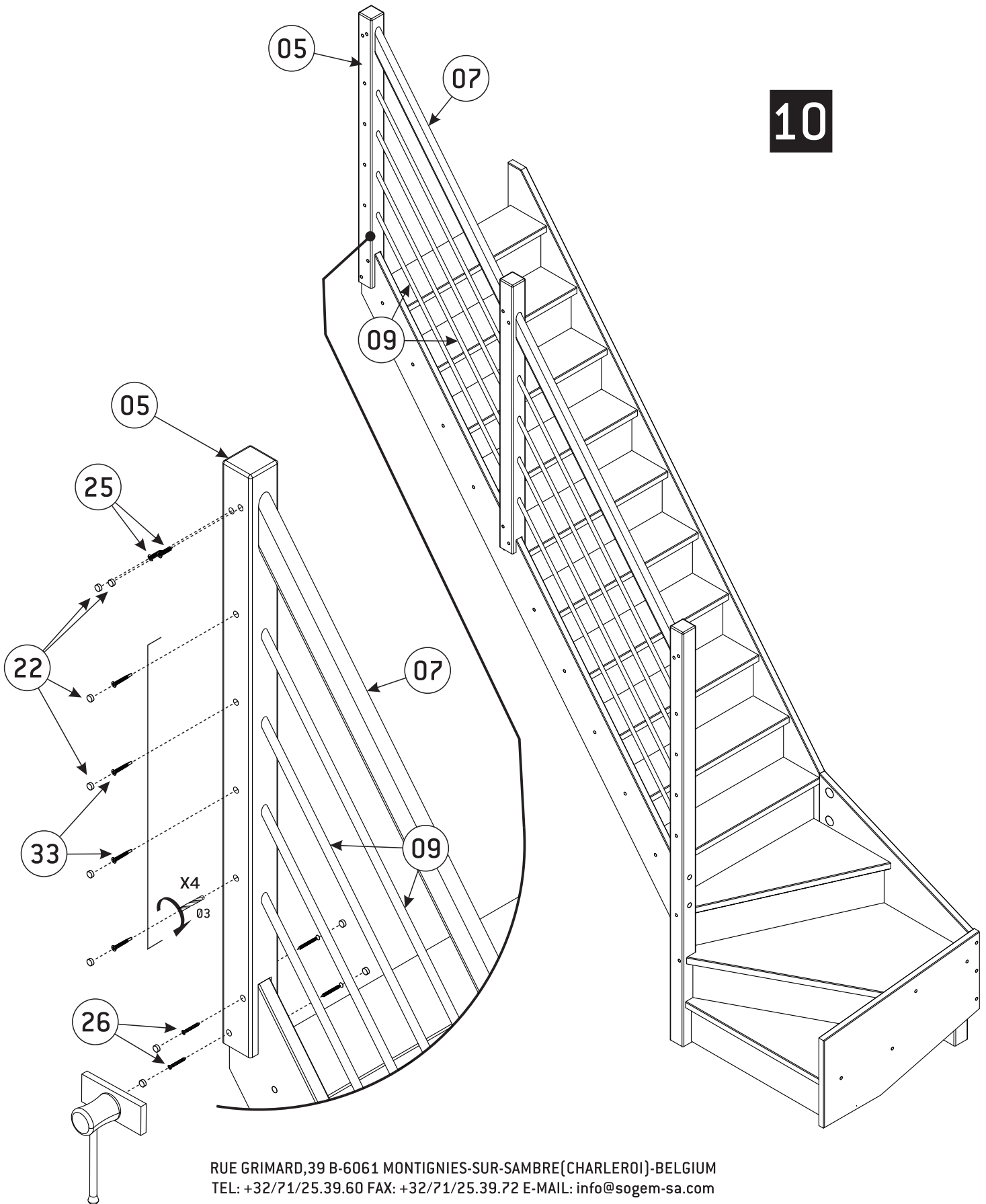




9

8





RUE GRIMARD,39 B-6061 MONTIGNIES-SUR-SAMBRE(CHARLEROI)-BELGIUM  
TEL: +32/71/25.39.60 FAX: +32/71/25.39.72 E-MAIL: info@sogem-sa.com