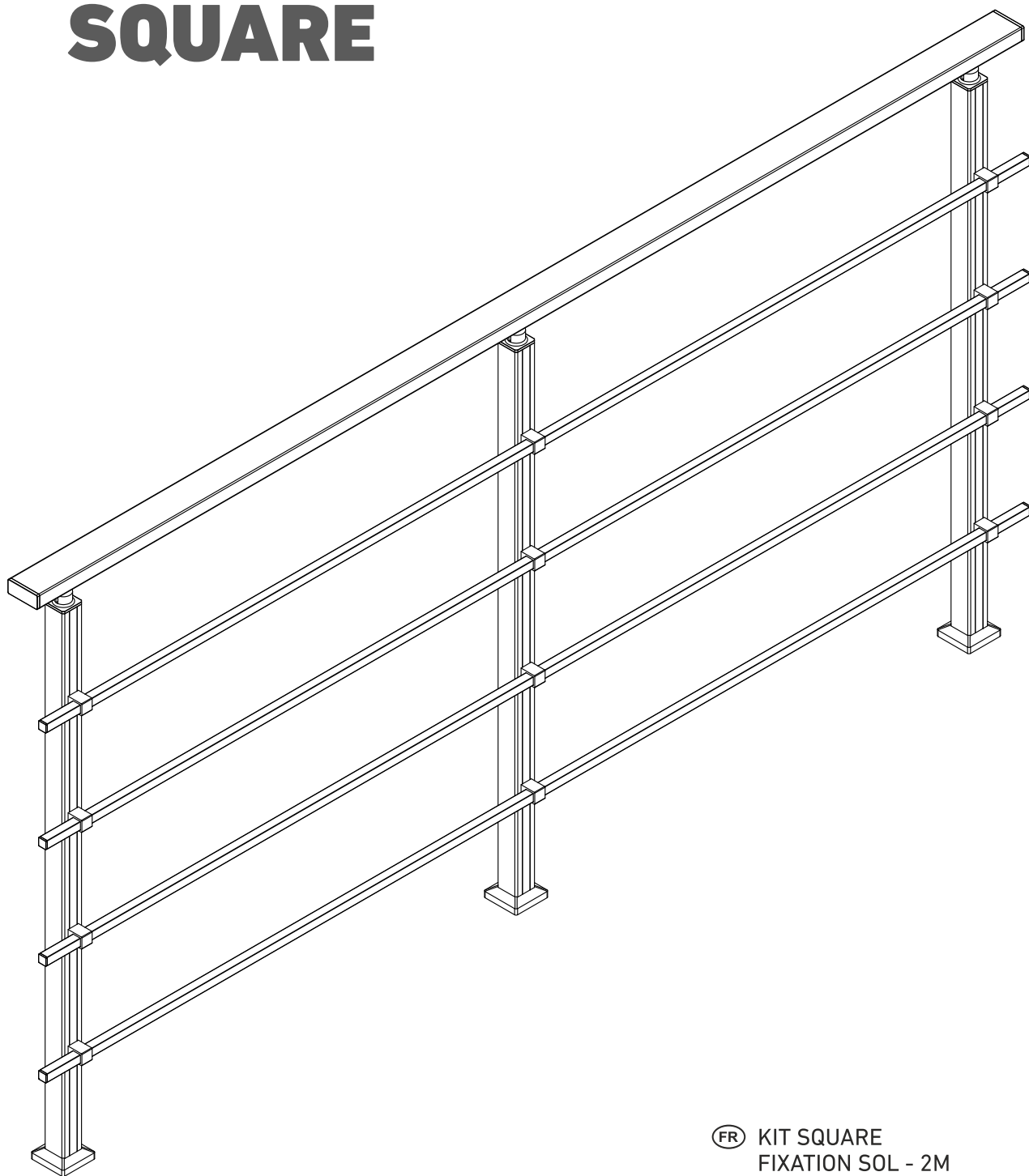


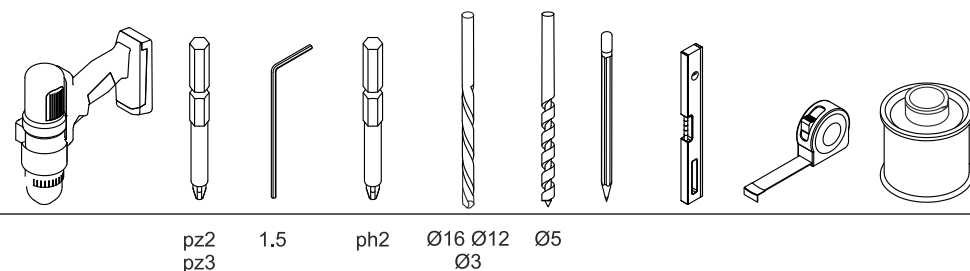
KIT SQUARE



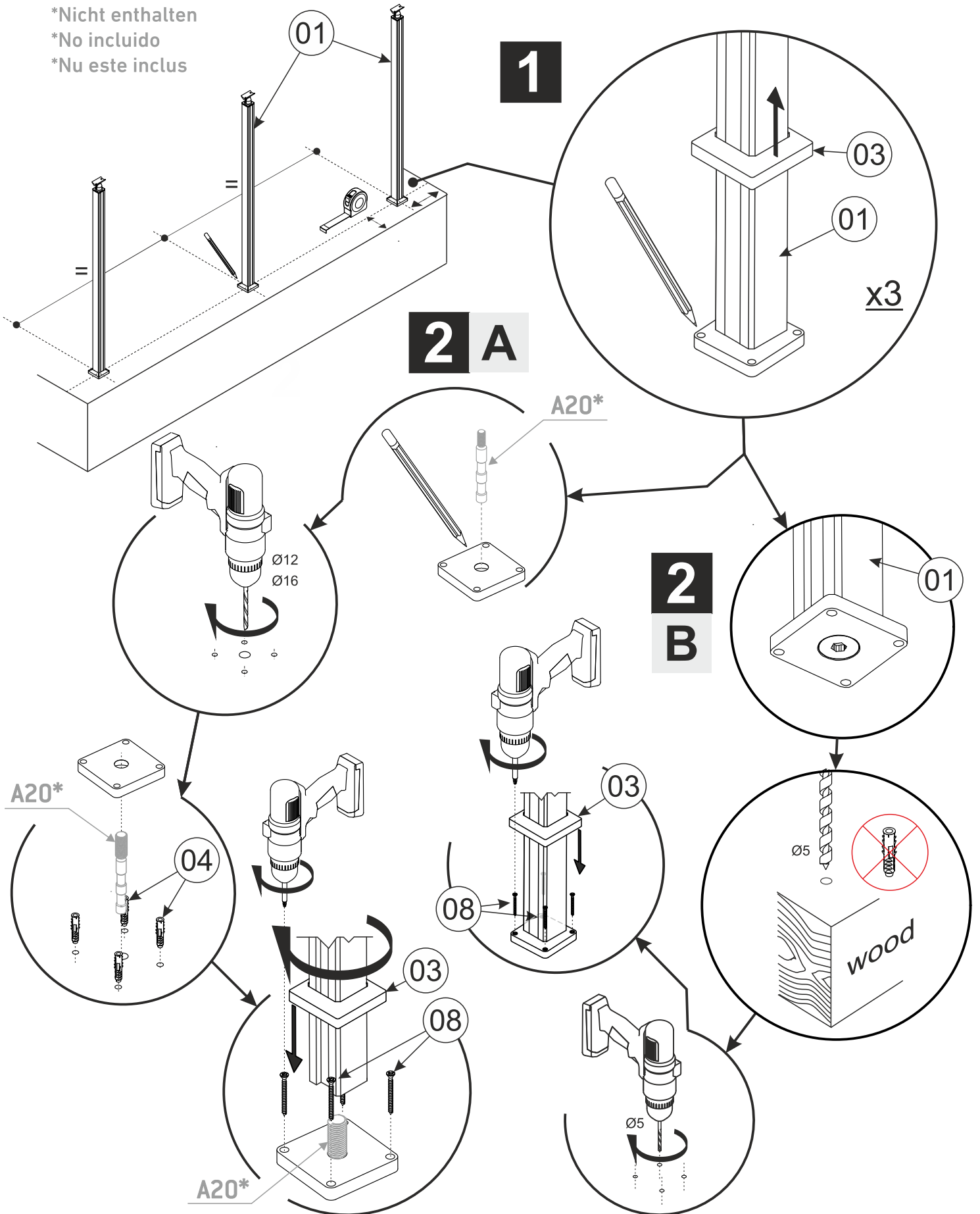
(FR) KIT SQUARE
FIXATION SOL - 2M

(NL) KIT SQUARE
VLOERBEVESTIGING - 2M

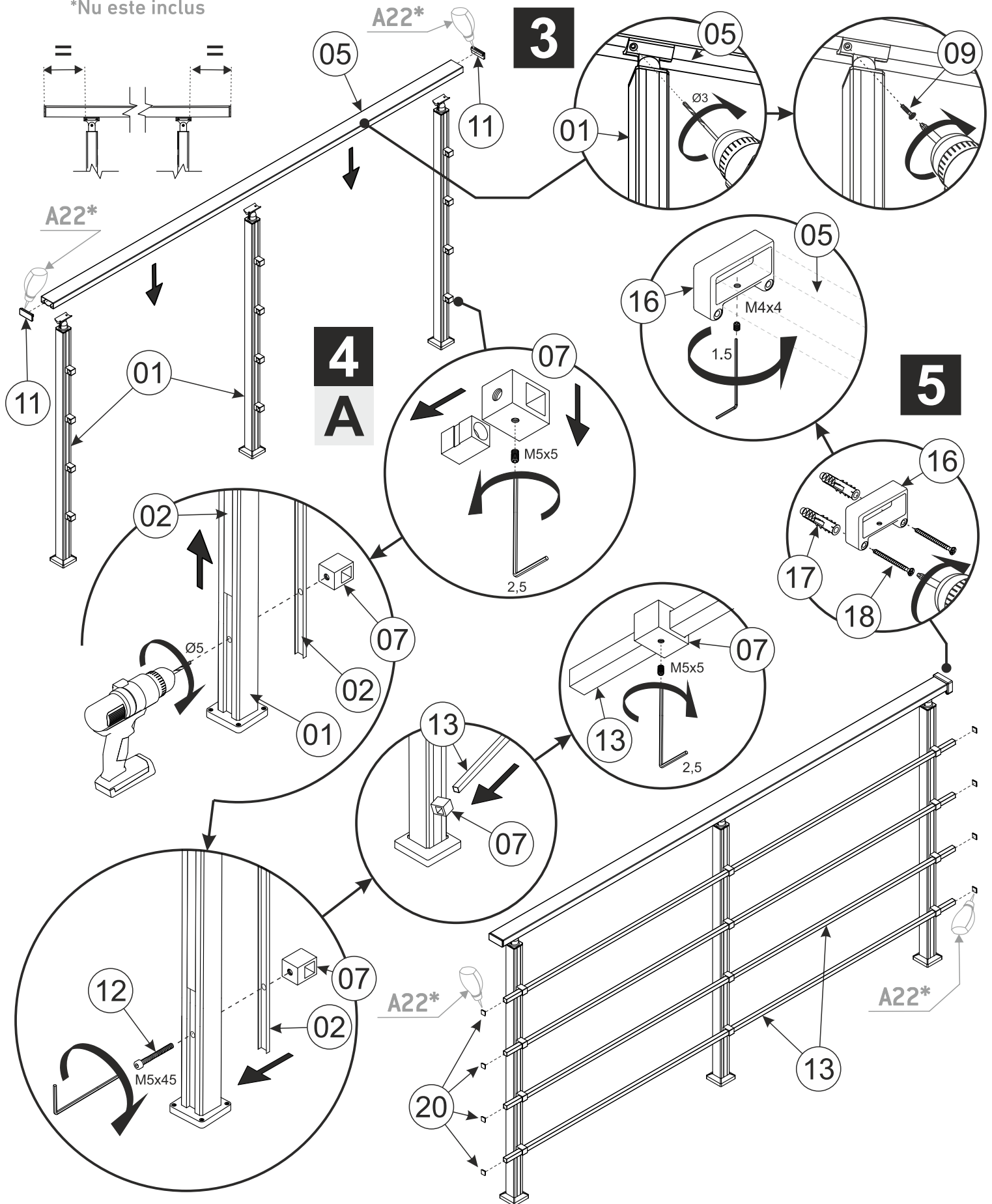
<p>01 40x40x970 x3</p>	<p>02 8x14x925 x6</p>	<p>03 65x65x20 x3</p>	<p>04 Ø12x60 x12</p>	<p>05 25x60x200 x1</p>	<p>06 13x40x100 x1</p>	<p>07 28x22x22 x12</p>
		<p>08 Ø6x70 x12</p>	<p>09 Ø4,2x13 x6</p>	<p>10 68x25x33 x1</p>	<p>11 25x60x13 x2</p>	<p>12 M5x45 x12</p>
		S1 x 3		S3 x 1		S12 x 3
<p>13 14x14x2000 x4</p>	<p>14 17x17x25 x4</p>	<p>15 9,5x9,5x100 x4</p>	<p>16 68x45x20 x1</p>	<p>17 Ø10x45 x2</p>	<p>18 Ø5x50 x2</p>	<p>19 33x22x22 x8</p>
				S5 x 1		S13x2
	<p>20 14x14x14 x8</p>	<p>21 Ø4,2x45 x12</p>	<p>22 Ø14x105 x8</p>			
	S4 x 1		S30 x 4			



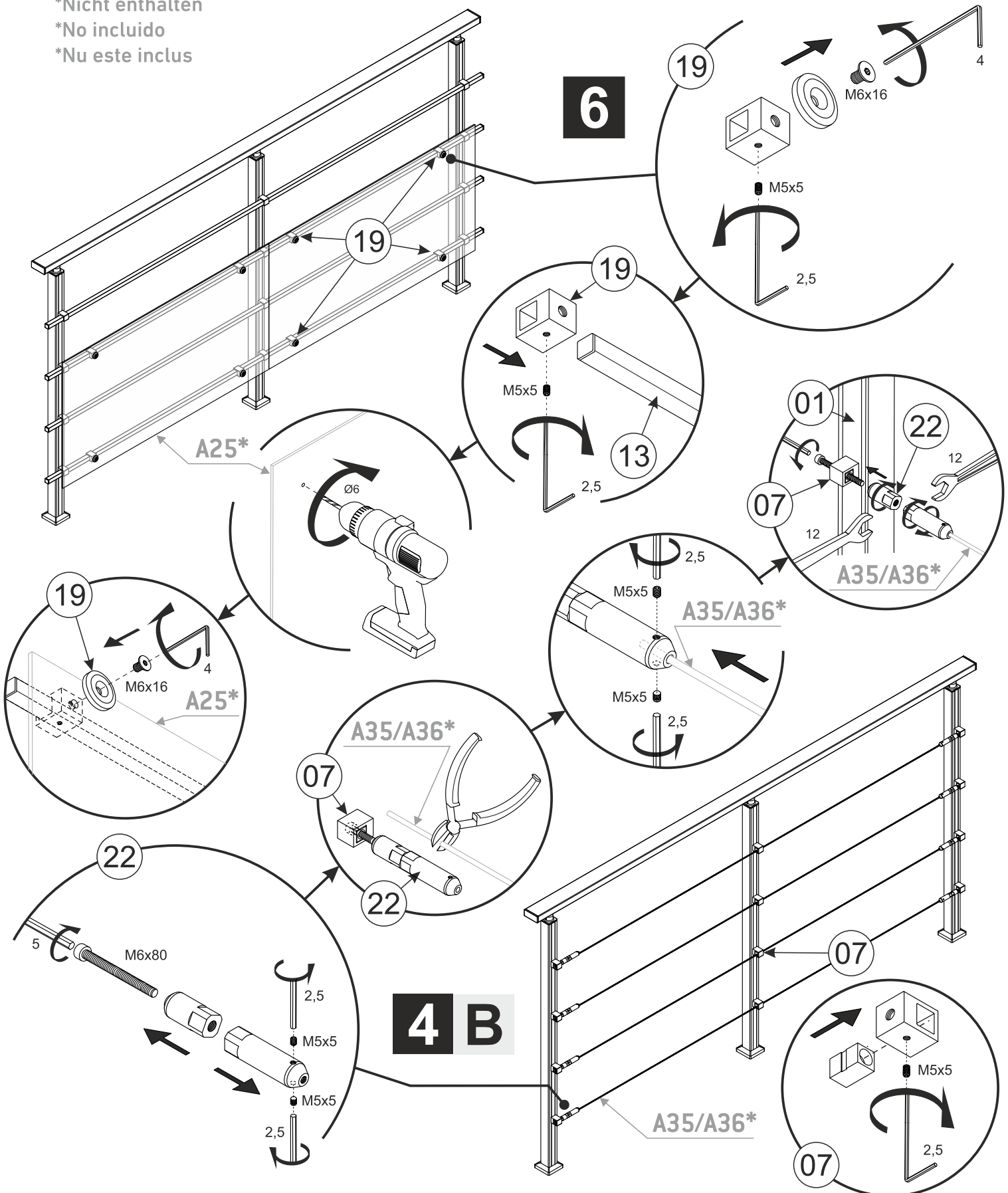
*Pas inclus
 *Niet inbegrepen
 *Not included
 *Nicht enthalten
 *No incluido
 *Nu este inclus



*Pas inclus
 *Niet inbegrepen
 *Not included
 *Nicht enthalten
 *No incluido
 *Nu este inclus



*Pas inclus
 *Niet inbegrepen
 *Not included
 *Nicht enthalten
 *No incluido
 *Nu este inclus



RUE GRIMARD,39 B-6061 MONTIGNIES-SUR-SAMBRE(CHARLEROI)-BELGIUM
 TEL: +32/71/25.39.60 FAX: +32/71/25.39.72 E-MAIL: info@sogem-sa.com